

# **PARTS LIST**

## **TMFD (TYPE D2)**

# Table of Contents

● TMFD GENERAL VIEW	
● TMFD FRAME TABLE 1	ED-1-1
● TMFD FRAME TABLE 2	ED-1-2
● TMFD ROTARY HOOK SHAFT TRANSMISSION BOX	ED-2
● TMFD ROTARY HOOK BASE	ED-3
● TMFD UPPER THREAD HOLDER SET	ED-4
● TMFD CAM DRIVE SYSTEM SET 1	ED-5-1
● TMFD CAM DRIVE SYSTEM SET 2	ED-5-2
● TMFD ATH	ED-6
● TMFD COLOR CHANGE SYSTEM	ED-7
● TMFD ARM 1	ED-8-1
● TMFD ARM 2	ED-8-2
● TMFD ARM 1 (NOISE REDUCTION TYPE)	EDN-8-1
● TMFD ARM 2 (NOISE REDUCTION TYPE)	EDN-8-2
● TMFD ARM 3 (NOISE REDUCTION TYPE)	EDN-8-3
● TMFD ARM 4 (NOISE REDUCTION TYPE)	EDN-8-4
● TMFD NEEDLE BAR CASE	ED-9
● TMFD NEEDLE BAR CASE (NOISE REDUCTION TYPE)	EDN-9
● TMFD FRONT COVER	ED-10
● TMFD X-AXIS DRIVE SYSTEM 1	ED-11-1
● TMFD X-AXIS DRIVE SYSTEM 2	ED-11-2
● TMFD Y-AXIS DRIVE SYSTEM 1	ED-12-1
● TMFD Y-AXIS DRIVE SYSTEM 2	ED-12-2
● TMFD Y-AXIS DRIVE SYSTEM 3 (M/C 6246MM - )	ED-12-3
● TMFD INDIVIDUAL TENSION BASE	ED-13
● TMFD THREAD STAND	ED-14
● TMFD BAR SWITCH BOX	ED-15
● TMFD EMBROIDERY FRAME	ED-16
● TMFD POWER SUPPLY BOX	ED-17
● TMFD DRIVER BOX	ED-18
● TMFD CONTROLLER BOX	ED-19
● TMFD MAIN SHAFT MOTOR A (M/C 4121 - 6245MM)	ED-20 a
● TMFD MAIN SHAFT MOTOR B (M/C 6246MM-)	ED-20 b

Part Nos. of screws, nuts, washers etc. are listed at the end of volume.

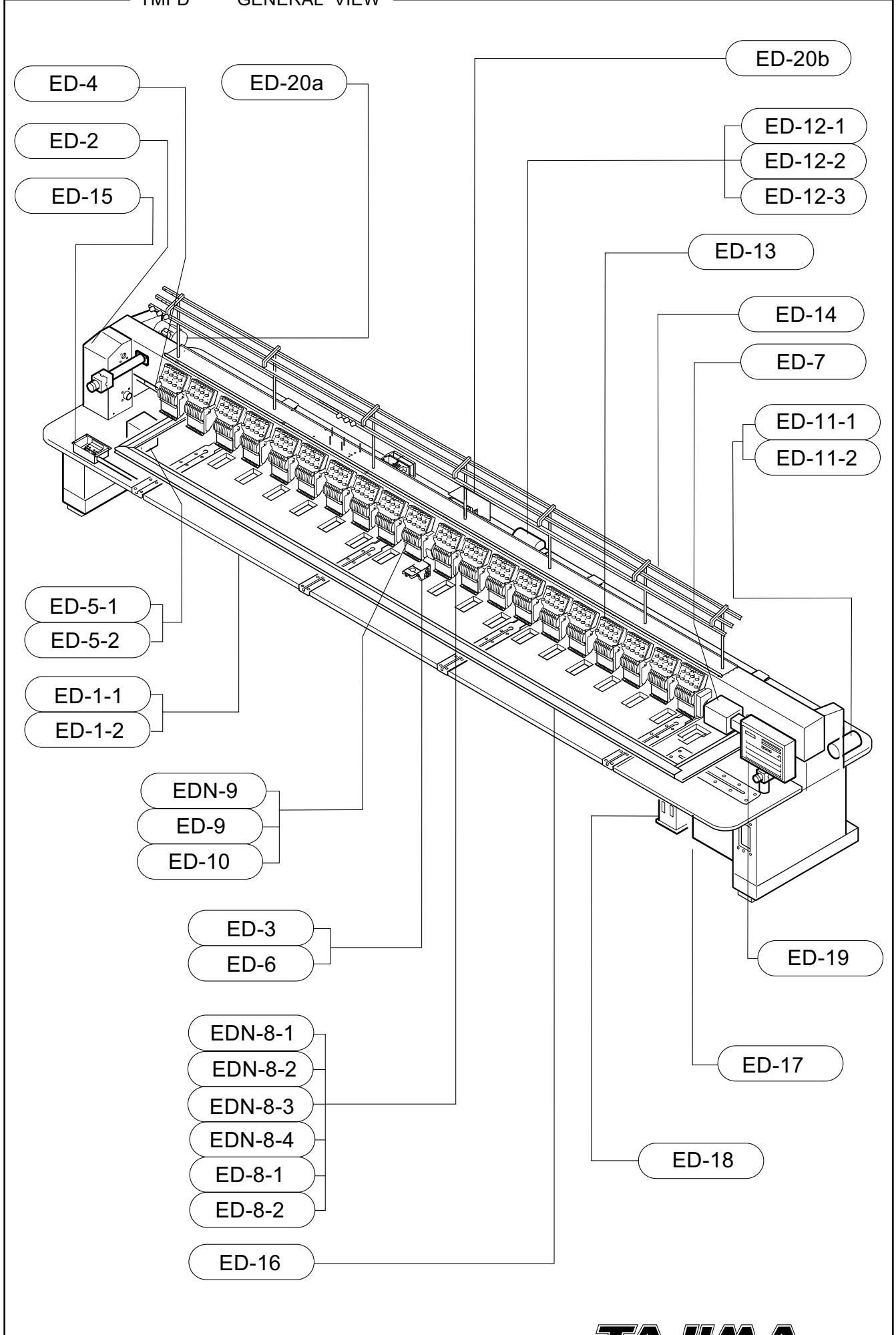
## 【 Explanation of Marks #'s and \*'s at End of Part No.】

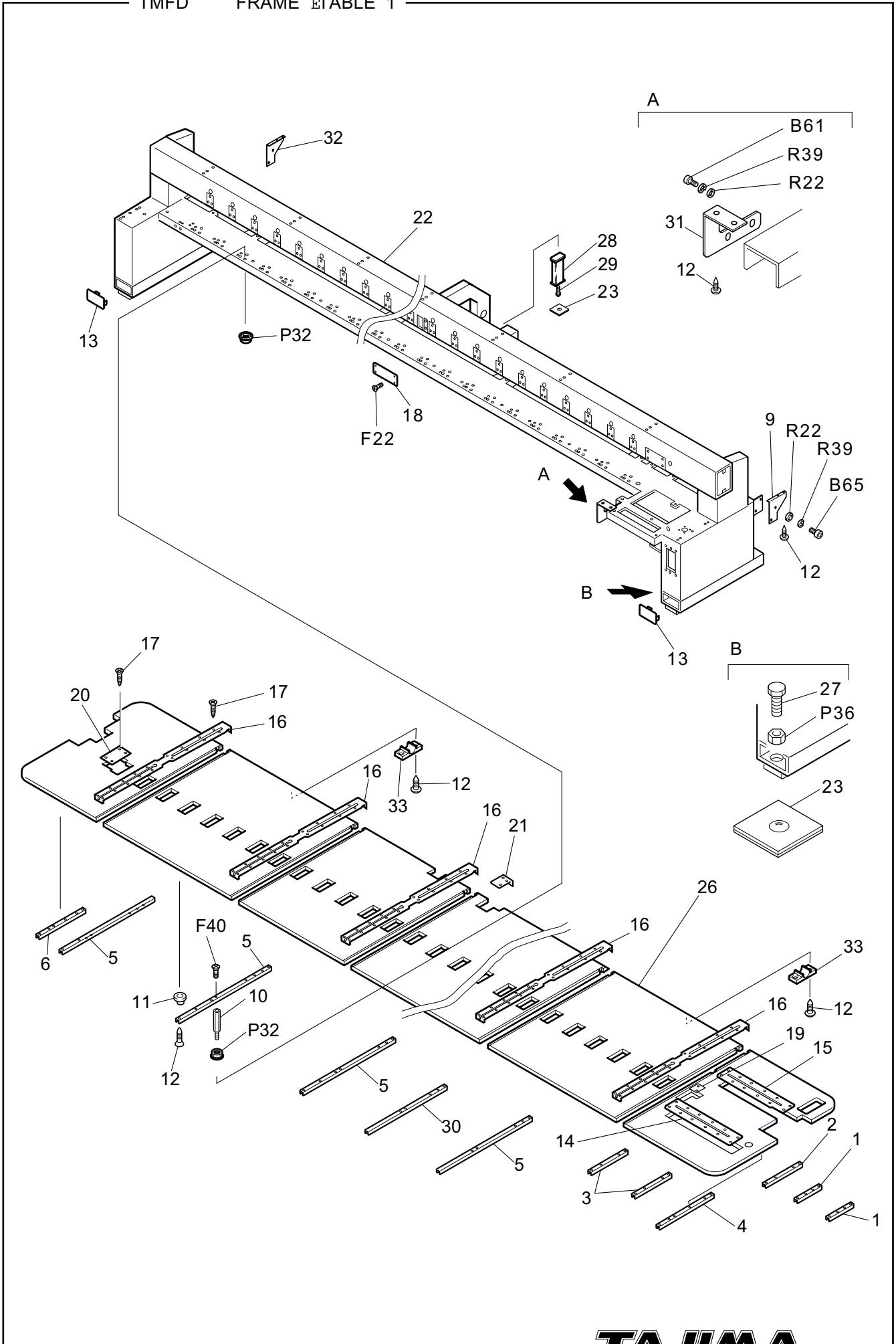
◆ Please specify, in the following manner, your machine model, manufacturing number and embroidery space when you order us with the parts having \*\*\*\* at the end of the part No.:

Ex. : TMFD-612	(450×275)S	No.01234
[Model]	[Emb. Space]	[Mfg. No.]

◆ Please specify the number of needles on your machine's head in your parts order by changing the marks #### into one of the 4-digit numbers below:

Ex. :	The part Number, EF012345####	
	4-digit Numbers	Machine Type
	0300... ..	3-needle machine
	0600... ..	6-needle machine
	0900... ..	9-needle machine
	1200... ..	12-needle machine

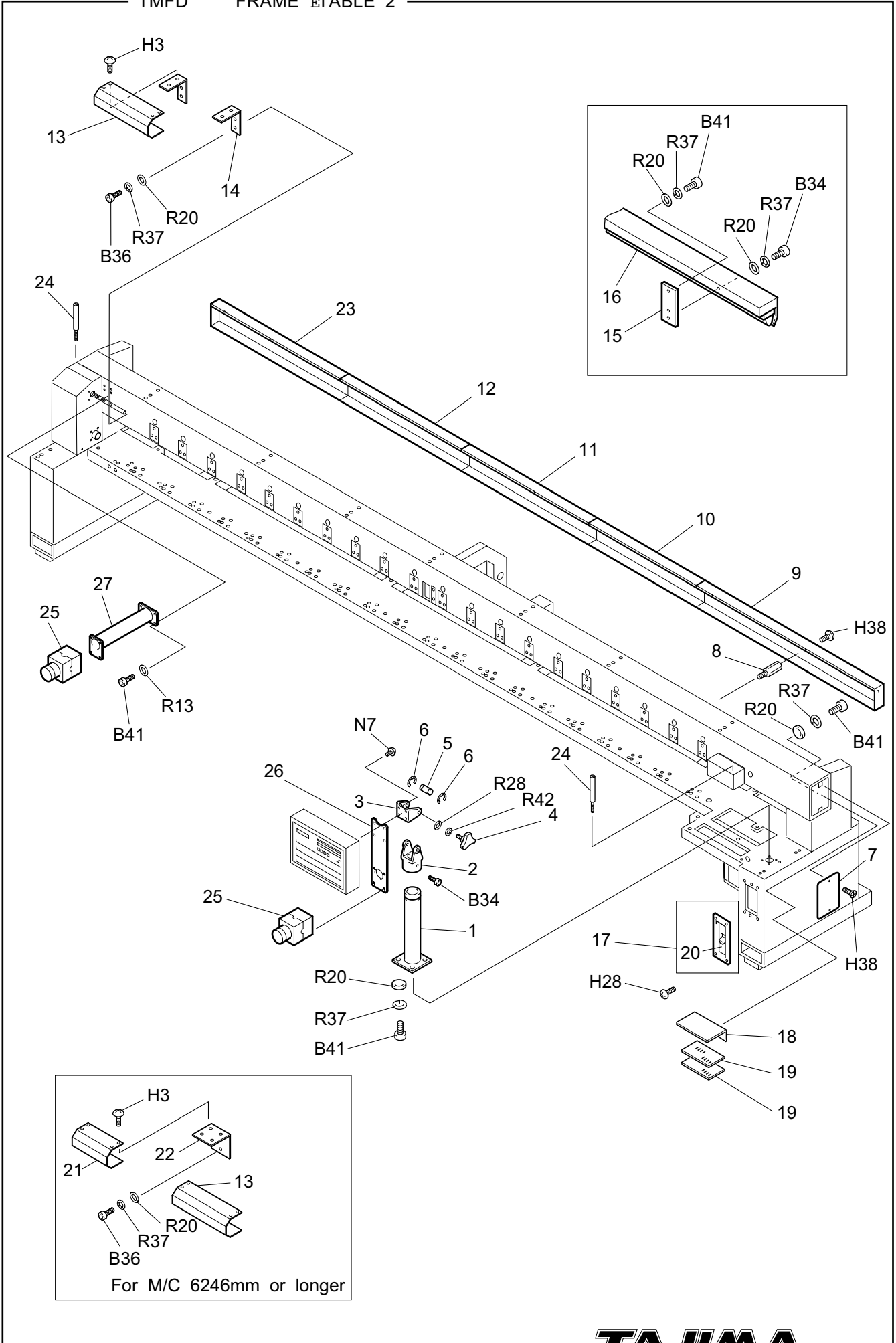




# TMFD FRAME ETABLE 1

ED-1-1

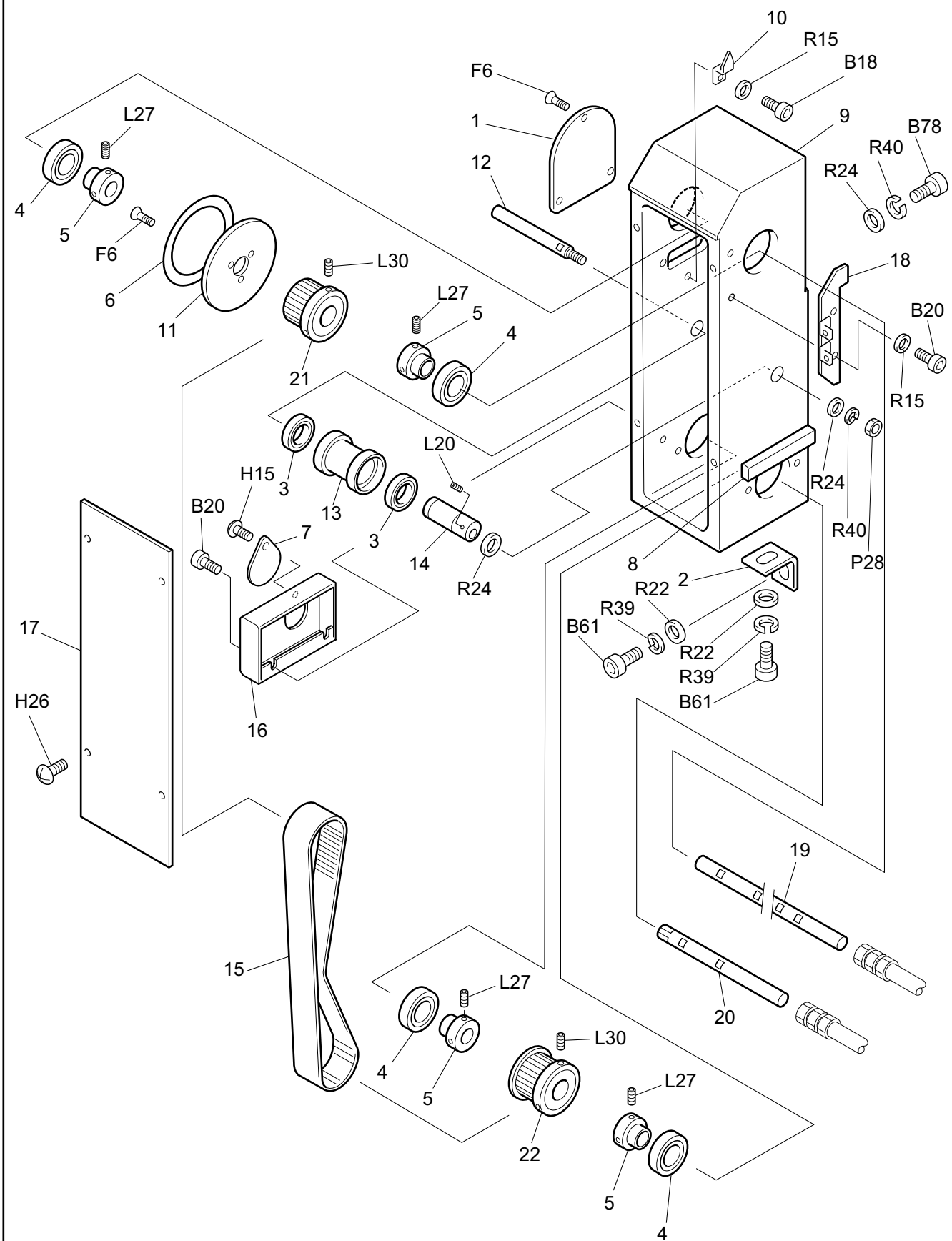
Ref.No.	Description	Part No.	Remark
1	No.4 Table Support	ED1004000000	
2	No.3 Table Support	ED1003000000	
3	No.44 Table Support	ED1044000000	
4	No.8 Table Support	ED1008000000	
5	No.1 Table Support	ED1001000000	
6	No.9 Table Support	ED1009000000	
9	No.209 Table Support R	ED1043R00000	
10	Table Support Stud	EF1001010000	
11	Table Support Spacer	MX1099000000	
12	Wood Screw		5.1P*25
13	Stand Cover, Lower	CT0819000000	
14	No.2 Table Lid A	ED0806A0****	
15	No.2 Table Lid B	ED0806B0****	
16	No.1 Table Lid	MX080602****	
17	Countersunk Head Wood Screw		3.1P*12,16
18	TAJIMA Brand Name Plate	CT0825000000	
19	Encoder Table Lid	ED0814000000	
20	Chain Cover	EF0806010000	
21	Joint Cover	ED0815000000	
22	Stand	ED080202****	
22	Stand	EDG80202****	G-Spec. M/C and longer M/C
23	Vibration-preventive Base	EF0810010000	
26	Table	ED080302****	
26	Table	EDG80302****	G-Spec. M/C and longer M/C
27	Adjusting Bolt	EF0809000000	
28	Center Support A	ED0834000000	8.5m M/C Stand Front Side
28	Center Support B	ED0835000000	8.5m M/C Stand Rear Side
29	Support Adjusting Bolt	ED0833000000	
30	No.2 Table Support	ED1002000000	
31	No.20 Table Support	ED1020000000	
32	No.209 Table Support L	ED1043L00000	
33	Driver Shaft Stopper	ED0704000000	For 15mm dia.shaft
33	Driver Shaft Stopper	ED0705000000	For 20mm dia. shaft
34			
35			
36			
37			
38			
39			
40			
41			
42			
43			
44			
45			
46			
47			
48			
49			
50			



# TMFD FRAME E TABLE 2

ED-1-2

Ref.No.	Description	Part No.	Remark
1	Operation Panel Stand Pipe	CT08330A0000	
2	Operation Panel Bracket	EG01030B0000	
3	Operation Panel Attaching Arm	EG01040A0000	
4	Knobbed Bolt	BPM10L200000	M10*20
5	Operation Panel Hinge Pin	EG0105010000	
6	E-ring	BPE900000000	
7	Square Pipe Cover	ED0820000000	
7	Square Pipe Cover	EDG820000000	G-Spec.M/C only
7	Square Pipe Cover	CT0103010000	For M/C 6246mm or longer
8	Wiring Cover Stud	EG0808000000	
9	No.1 Wiring Cover	ED0812A0****	
10	No.2 Wiring Cover	ED0812B0****	
11	No.3 Wiring Cover	ED0812C0****	G-Spec.M/C only
12	No.4 Wiring Cover	ED0812D0****	G-Spec.M/C only
13	Connecting Shaft Cover	ED081900****	
14	Cover Bracket B	ED0154000000	
15	Fluorescent Lamp Bracket	EG0817000000	
16	Fluorescent Lamp	EG7401E00000	1-lamp type
16	Fluorescent Lamp	EG7401D00000	2-lamp type
16	Fluorescent Lamp	EG7401F10000	3-lamp type
16	Fluorescent Lamp	EG7401H10000	4-lamp type
16	Fluorescent Lamp	EG7401K00000	5-lamp type
17	No Fuse Breaker Assembly	EN5802000000	
18	TC Joint 4 Card Fixture	ED7202010000	
19	TC Joint 4 Card	ED7201000000	2pcs.for25 or more head M/C
20	No Fuse Breaker	PB002100KA00	
21	Connecting Shaft Cover A	EDG83100****	For M/C 6246mm or longer
22	Cover Bracket C	EDG158000000	For M/C 6246mm or longer
23	No.5 Wiring Cover	ED0812E0****	
24	Bobbin Stand Stud	EF0122000000	
25	Emergency Stop Switch Box	EN5804000000	
26	Right Side Emergency Stop Switch Bracket	ED0843000000	
27	Left Side Emergency Stop Switch Bracket	ED0842A10000	Y emb. space-less than 680mm
27	Left Side Emergency Stop Switch Bracket	ED0842B10000	Y emb. space-680mm or more
28			
29			
30			
31			
32			
33			
34			
35			
36			
37			
38			
39			
40			
41			
42			
43			



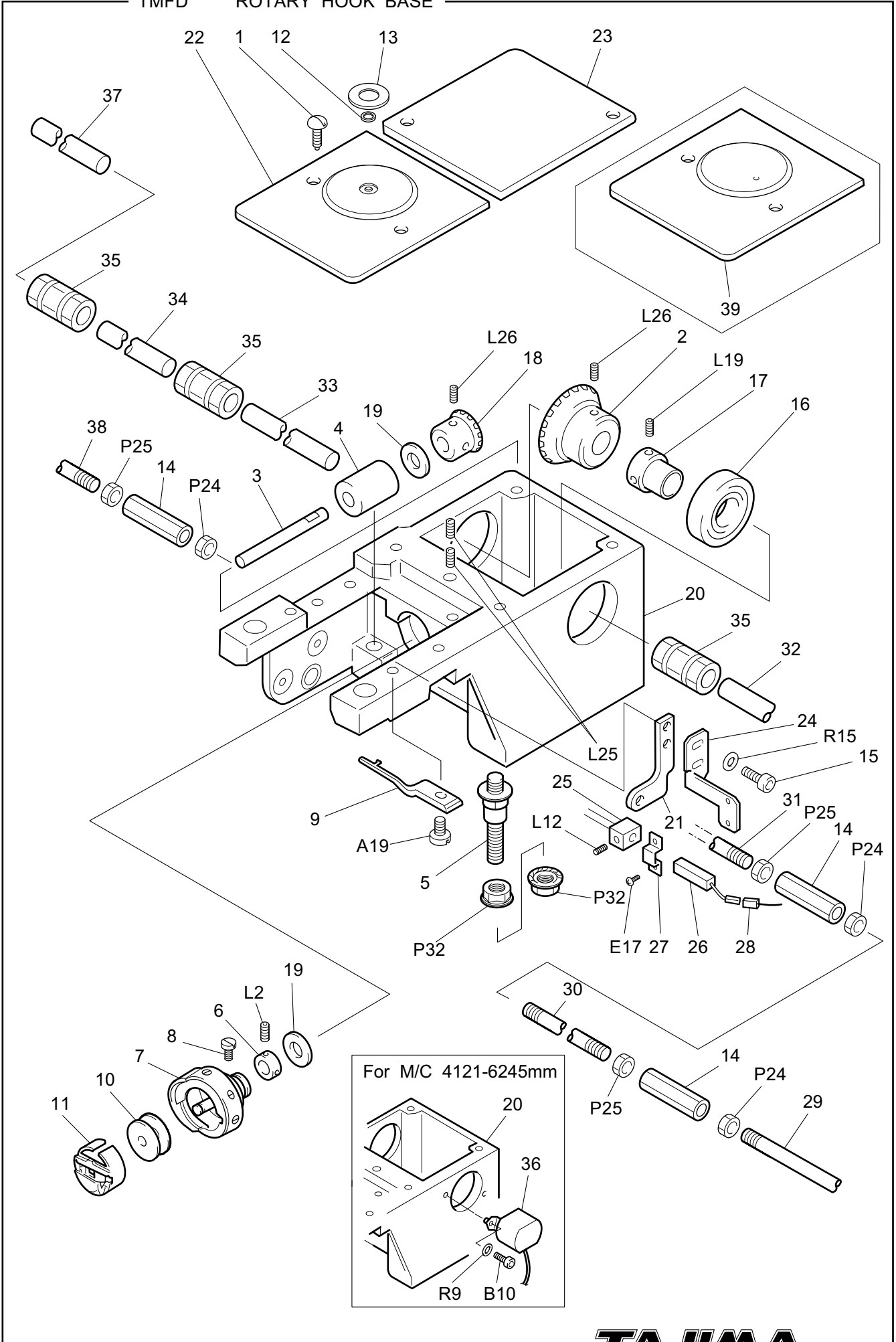


# TMFD ROTARY HOOK SHAFT TRANSMISSION BOX

ED-2

Ref.No.	Description	Part No.	Remark
1	Clear Plate	ED0141000000	
2	Box Stay	ED0114000000	
3	Ball Bearing	BP6804ZZ0000	
4	Ball Bearing	BP6004ZZ0000	
5	15mm Dia. Bearing Case Collar	EG0111000000	
6	Angle Indicator Plate	ED0170000000	
7	Handle Lid	ED0130000000	
8	Sponge Seal	ED0149000000	
9	Rotary Hook Shaft Transmission Box	ED0148030000	
9	Rotary Hook Shaft Transmission Box	EDC148030000	For Jumbo Rotary Hook
10	Angle Pointer	ED0132010000	
11	Angle Pointer Plate	ED0133010000	
12	Tension Shaft	ED0137010000	
13	Idler	ED0134010000	
14	Eccentric Pin	ED0138010000	
15	Timing Belt	BPS5M250575G	
16	Handle Cover	ED0142030000	
17	Transmission Box Cover	ED0143010000	
18	Cover Bracket A	ED0153010000	For M/C not longer than 6246mm
19	Transmission Main Shaft A	ED0144010000	For M/C 6246mm or longer
19	Transmission Main Shaft B	ED0145010000	
20	Transmission Rotary Hook Shaft	ED0139010000	
21	Rotary Hook Shaft Drive Pulley A	ED0135020000	
22	Rotary Hook Shaft Drive Pulley B	ED0136020000	
23			
24			
25			
26			
27			
28			
29			
30			
31			
32			
33			
34			
35			
36			
37			
38			
39			
40			
41			
42			
43			
44			
45			
46			
47			
48			

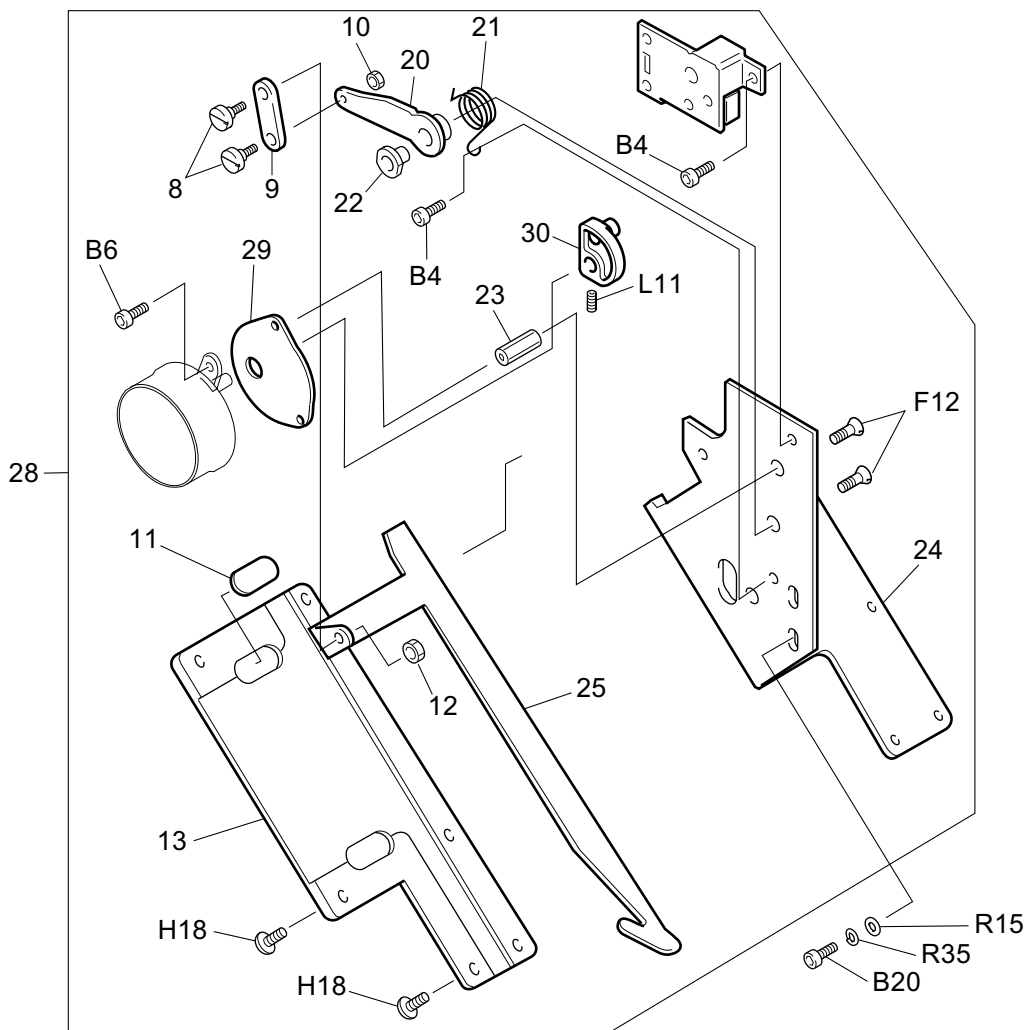
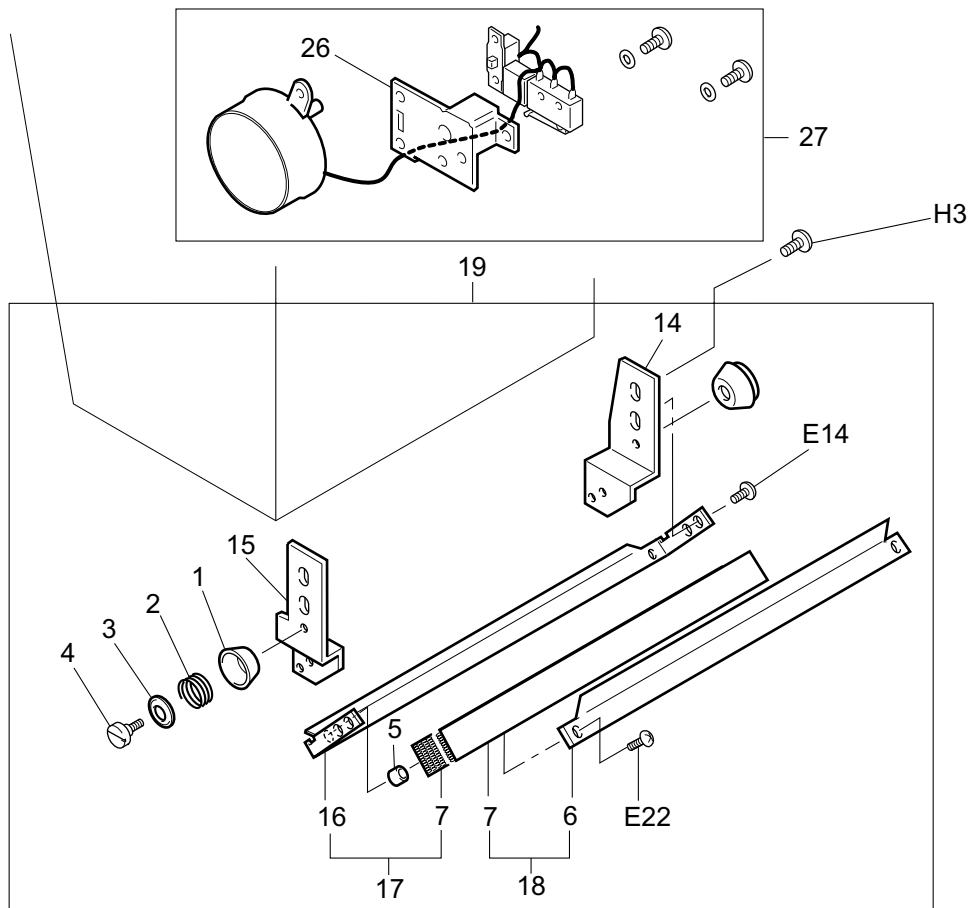
TMFD ROTARY HOOK BASE



# TMFD ROTARY HOOK BASE

ED-3

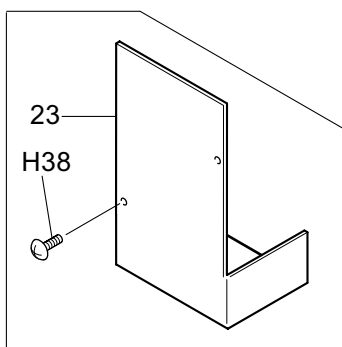
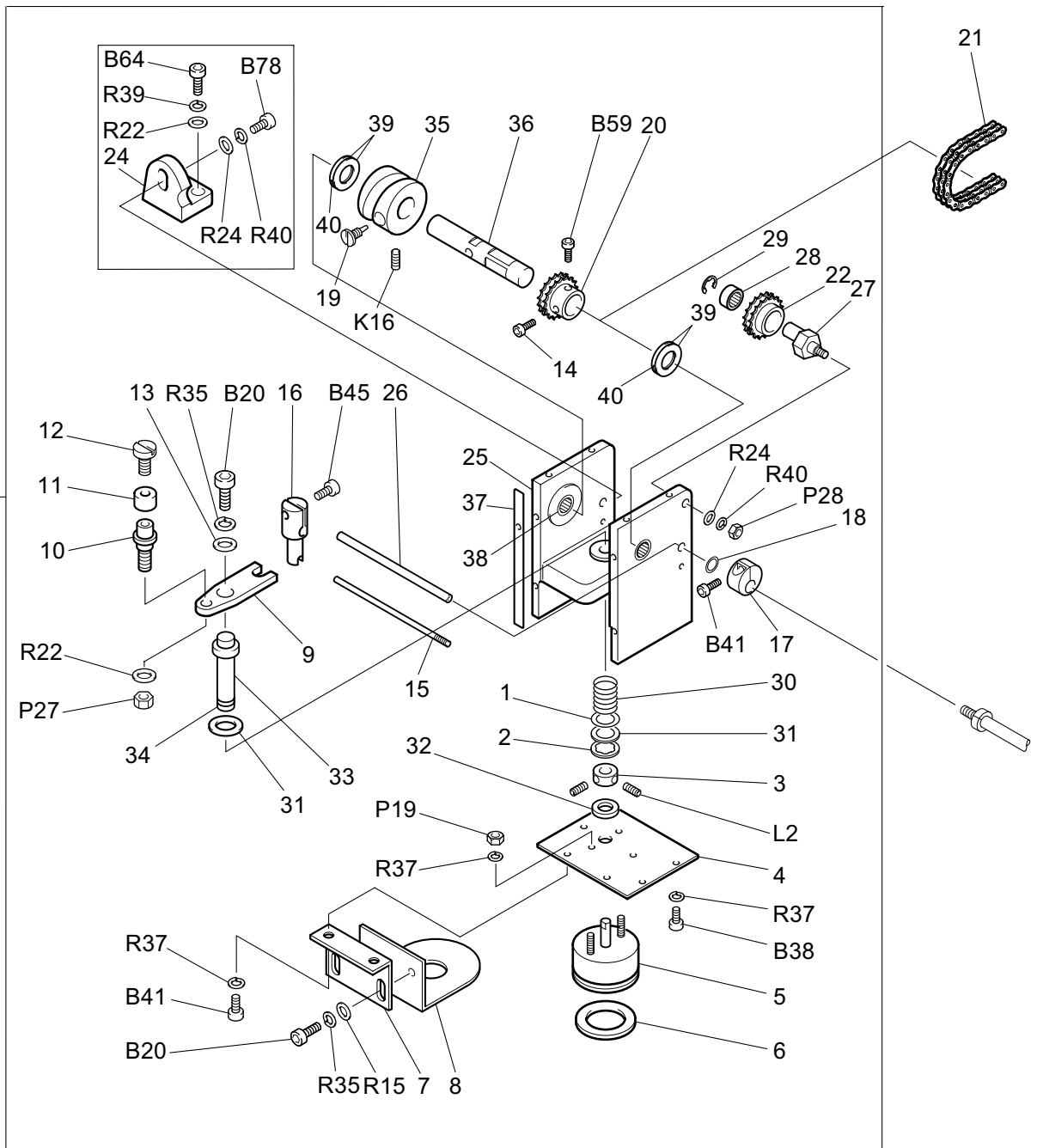
Ref.No.	Description	Part No.	Remark
1	Round Countersunk Head Screw	EG0228000000	
2	Spiral Bevel Gear A	EF0203B00000	
3	Rotary Hook Shaft	EF0205010000	
4	Rotary Hook Shaft Bushing	EF0206000000	
4	Rotary Hook Shaft Bushing	EFC206010000	For Jumbo Rotary Hook
5	Rotary Hook Base Stud	FX0225000000	
6	7.94mm Dia. Collar	EF0209000000	
7	Rotary Hook	ME0505E2****	
7	Rotary Hook	MEC505E2****	For Jumbo Rotary Hook
8	Rotary Hook Set Screw	ME0506000000	
9	Rotary Hook Support	EF021000****	
9	Rotary Hook Support	EFC210000000	For Jumbo Rotary Hook
10	Bobbin	ME050402****	
11	Bobbin Case	ME050300****	
12	Needle Plate Hole Collar	EF0202200000	
13	Needle Plate Hole Seal	EF0202300000	
14	M6 Joint	EF0827010000	
15	Hexagon Socket Head Cap Screw	EG0219000000	
16	Ball Bearing	BP6003ZZ0000	
17	15mm Dia. Bearing Collar	EG0227000000	
18	Spiral Bevel Gear B	EF0204040000	
19	Rotary Hook Spacer	EF0211000000	
20	Rotary Hook Base A	FX0201AC0000	Encoder is not attachable.
20	Rotary Hook Base B	FX0201BC0000	Encoder is attachable.
20	Rotary Hook Base A	FXC201AC0000	Encoder,not attachable/J.Hook
20	Rotary Hook Base B	FXC201BC0000	Encoder is attachable./J.Hook
21	Connecting Shaft Holder	FX0208000000	
22	Needle Plate	EG020210****	
23	Top Lid	EG0221010000	
24	Sensor Bracket A	FX0218000000	
25	Searching Block	FX0217000000	
26	Proximity Switch	EG6601000000	
27	Proximity Switch Lock	PB000500KN01	
28	Knife Retracting Sensor Harness	ED760400****	
29	Thread Trimming Shaft A	MX0813A0****	
30	Thread Trimming Shaft B	MX0813B0****	
31	Thread Trimming Shaft C	MX0813C0****	G-Spec.M/C only
32	Rotary Hook Shaft Drive Shaft A	ED0811A0****	
32	Rotary Hook Shaft Drive Shaft A	EDG811A0****	For M/C 6246mm or longer
33	Rotary Hook Shaft Drive Shaft B	ED0811B0****	
34	Rotary Hook Shaft Drive Shaft C	ED0811C0****	G-Spec.M/C only
35	N-Coupling	BPN150150000	
36	Rotary Encoder	EF6600A00000	
37	Rotary Hook Shaft Drive Shaft D	ED0811D1****	
38	Thread Trimming Shaft D	MX0813D0****	
39	Needle Plate	FX0202A0****	Noise Reduction Type
40			
41			
42			
43			



# TMFD UPPER THREAD HOLDER SET

ED-4

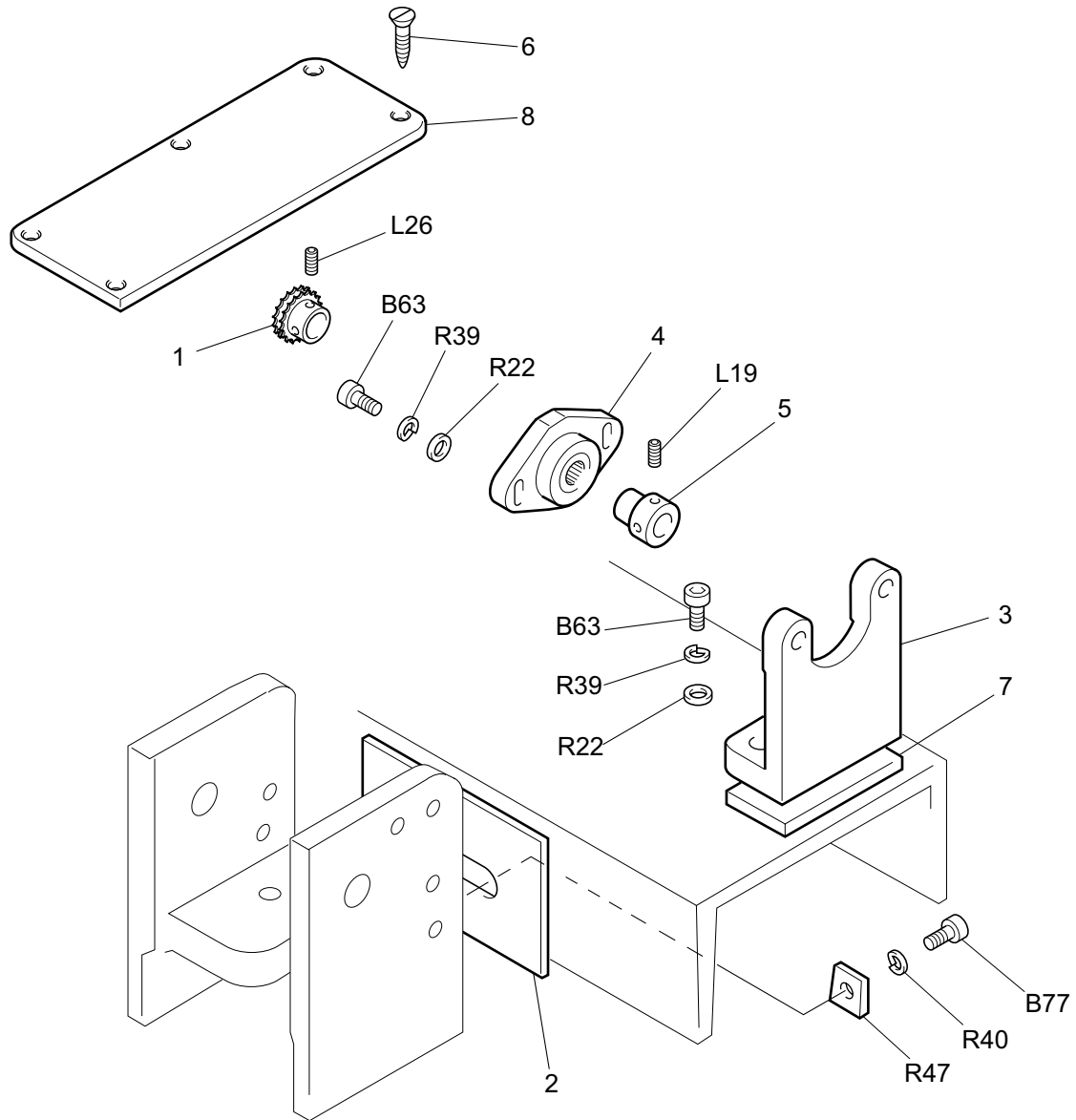
Ref.No.	Description	Part No.	Remark
1	Thread Suspender Disk	EF0637000000	
2	Thread Suspender Spring	EF0639000000	
3	Thread Suspender Spring Presser	EF0638000000	
4	Thread Suspender Attaching Screw	AT2311000000	
5	Thread Presser Spacer	AT0304000000	
6	Thread Presser Lid	AT030300####	
7	Velcro	AT030500####	
8	Lever Connecting Pin	AT0309000000	
9	Arm Connecting Rod	AT0306000000	
10	Special Nut	AT0307100000	
11	Hook Cushion C	AT1307010000	
12	Special Nut	AT0307200000	
13	Base Lid A	AT1302020000	
14	Upper Thread Holder Bracket R	FX0629R00000	
15	Upper Thread Holder Bracket L	FX0629L00000	
16	Thread Presser Base	FX063010####	
17	Thread Presser Base(with attaching tape)	UN680170****	
18	Thread Presser Lid (with attaching tape)	UN680180****	
19	Thread Presser Base Set	UN680031****	
20	Drive Arm	AT0310010000	
21	Lever Return Spring	AT0311010000	
22	Shaft Holder Bushing	AT0315000000	
23	Motor Stud	AT0313010000	
24	Assembly Base	AT0318000000	
25	Upper Thread Hook	AT0314000000	
26	Switch Base	AT0317010000	
27	Motor-driven Upper Thread Hook Assy. A	AT9101010000	
28	Assembly Base Set	UN680054****	
29	Motor Base	AT0321000000	
30	Motor Lever	CD0E08010000	
31			
32			
33			
34			
35			
36			
37			
38			
39			
40			
41			
42			
43			
44			
45			
46			
47			
48			
49			
50			



# TMFD CAM DRIVE SYSTEM SET 1

ED-5-1

Ref.No.	Description	Part No.	Remark
1	Washer B	AT0122000000	
2	E-ring	BPE120000000	
3	7.94mm Dia. Collar	EF0209000000	
4	Solenoid Base	AT11050A0000	
5	Thread Trimming Solenoid	AT6802B00000	
6	Solenoid Cushion	AT0119000000	
7	Plunger Bracket	AT0120000000	
8	Plunger Holder	AT0121000000	
9	Cam Lever	AT0105000000	
10	Cam Pin	AT0110000000	
11	Cam Roller	AT0111000000	
12	Lid Screw	AT0112000000	
13	Lever Fixing Washer	AT0109000000	
14	Sprocket Fixing Screw	AT0124000000	
15	Guide Pin	AT0114000000	
16	Lever Drive Pin	AT0113000000	
17	Cushion Connecting Stud	AC0405000000	
18	O-Ring	BPS100000000	
19	Cam Attaching Screw	AT0123000000	
20	15mm Dia. Sprocket	AT0104000000	
21	Roller Chain	AT1108000000	
22	Tension Sprocket	AT0117000000	
23	Cam Base Cover	AT11030A0000	
24	Cam Base Bracket	AT11010A0000	
25	Cam Attaching Base	AT01010A0000	
26	Thread Trimming Base Shaft	AT0115010000	
27	Tension Eccentric Pin	IS0111000000	
28	Needle Bearing	BPHMK1015000	
29	E-ring	BPE800000000	
30	Cam Roller Return Spring	AT0108010000	
31	Cushion Washer C	FX0214000000	
32	Cushion Washer D	FX0215000000	
33	Lever Support Pin	AT0106010000	
34	Support Pin Cushion	AT0106100000	
35	Cam	FX0211000000	
36	Cam Shaft	FX0212000000	
37	Silencer Packing Rubber	FX0213000000	
38	Needle Bearing	BPHMK1515000	
39	Thrust Washer	BPSW1528AS00	
40	Thrust Bearing	BPSB15280000	
41	Cam Attaching Base Set	UN680021G000	For Reversed Type ATH
42			
43			
44			
45			
46			
47			
48			
49			
50			

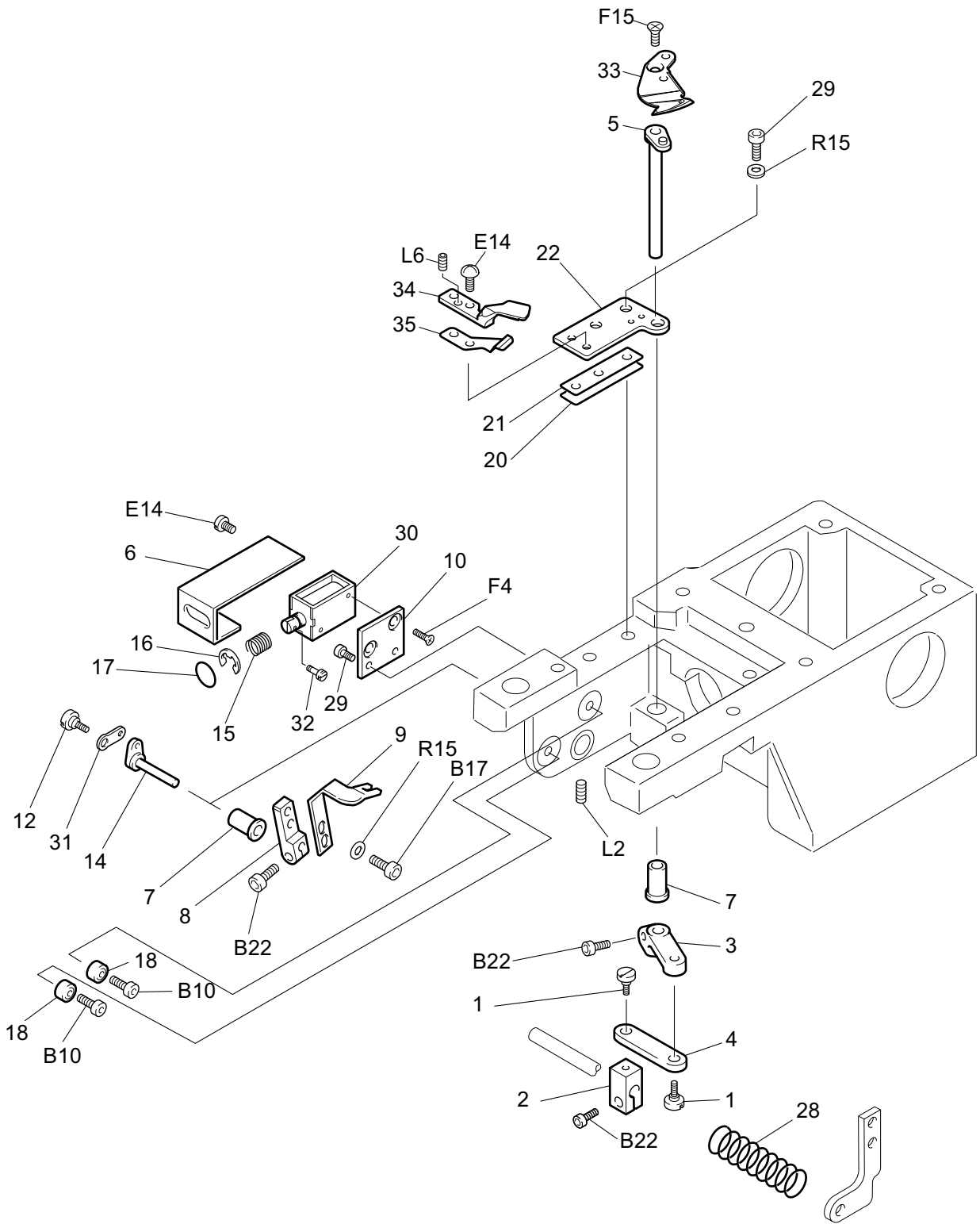




# TMFD CAM DRIVE SYSTEM SET 2

ED-5-2

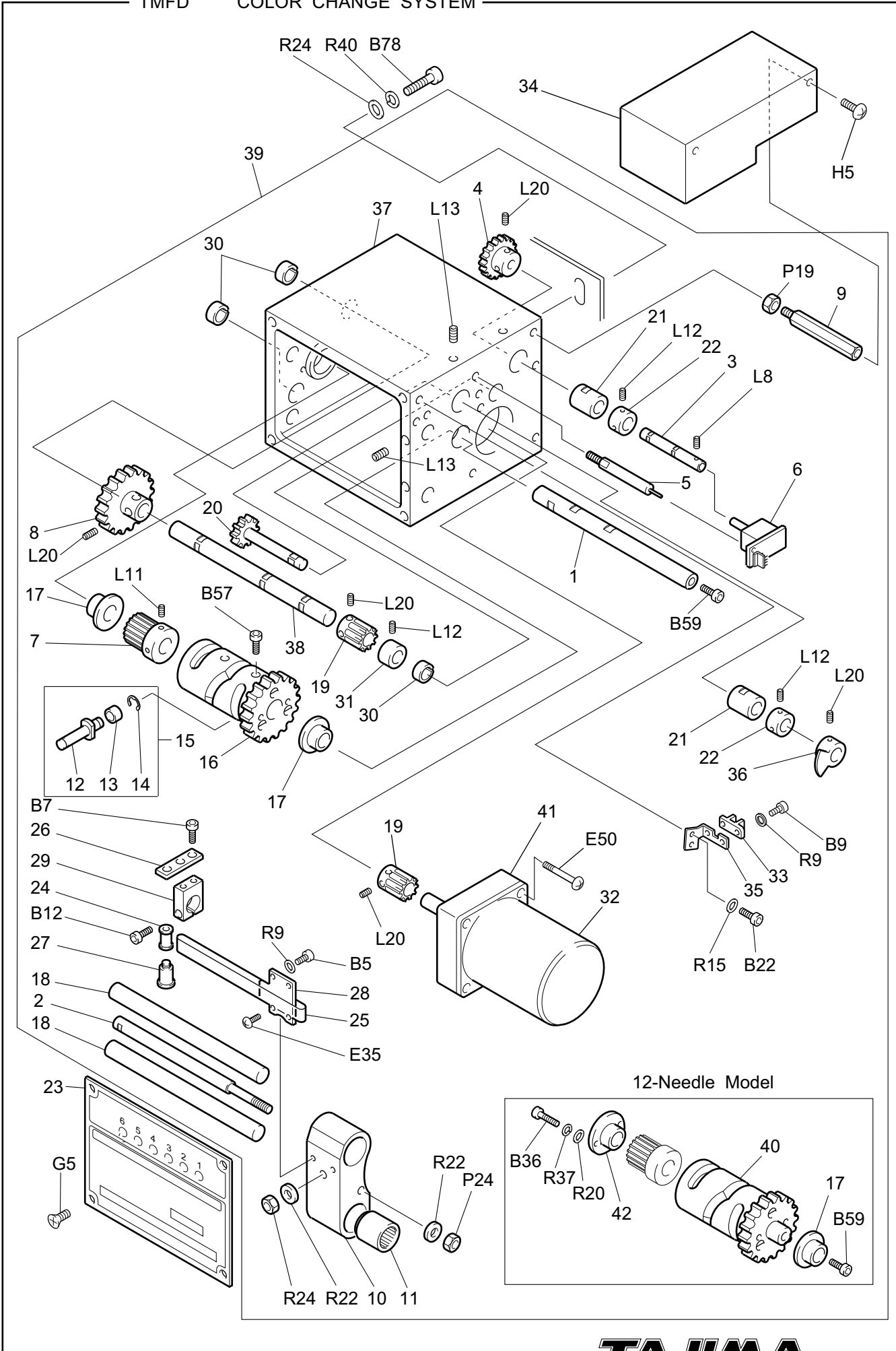
Ref.No.	Description	Part No.	Remark
1	15mm Dia. Sprocket	AT0104000000	
2	Driver Cam Base Spacer	MX083200****	
3	Rotary Hook Shaft Holder	AT11040A0000	
4	Rotary Hook Base Shaft Holder	AT1106000000	
5	15mm Dia. Needle Collar	EF0208000000	
6	Countersunk Head Wood Screw		3.1P*12
7	Rotary Hook Shaft Holder Spacer	AT1109010000	For Small Rotary Hook
8	Chain Cover	EF0806010000	
9			
10			
11			
12			
13			
14			
15			
16			
17			
18			
19			
20			
21			
22			
23			
24			
25			
26			
27			
28			
29			
30			
31			
32			
33			
34			
35			
36			
37			
38			
39			
40			
41			
42			
43			
44			
45			
46			
47			
48			
49			
50			



# TMFD ATH

ED-6

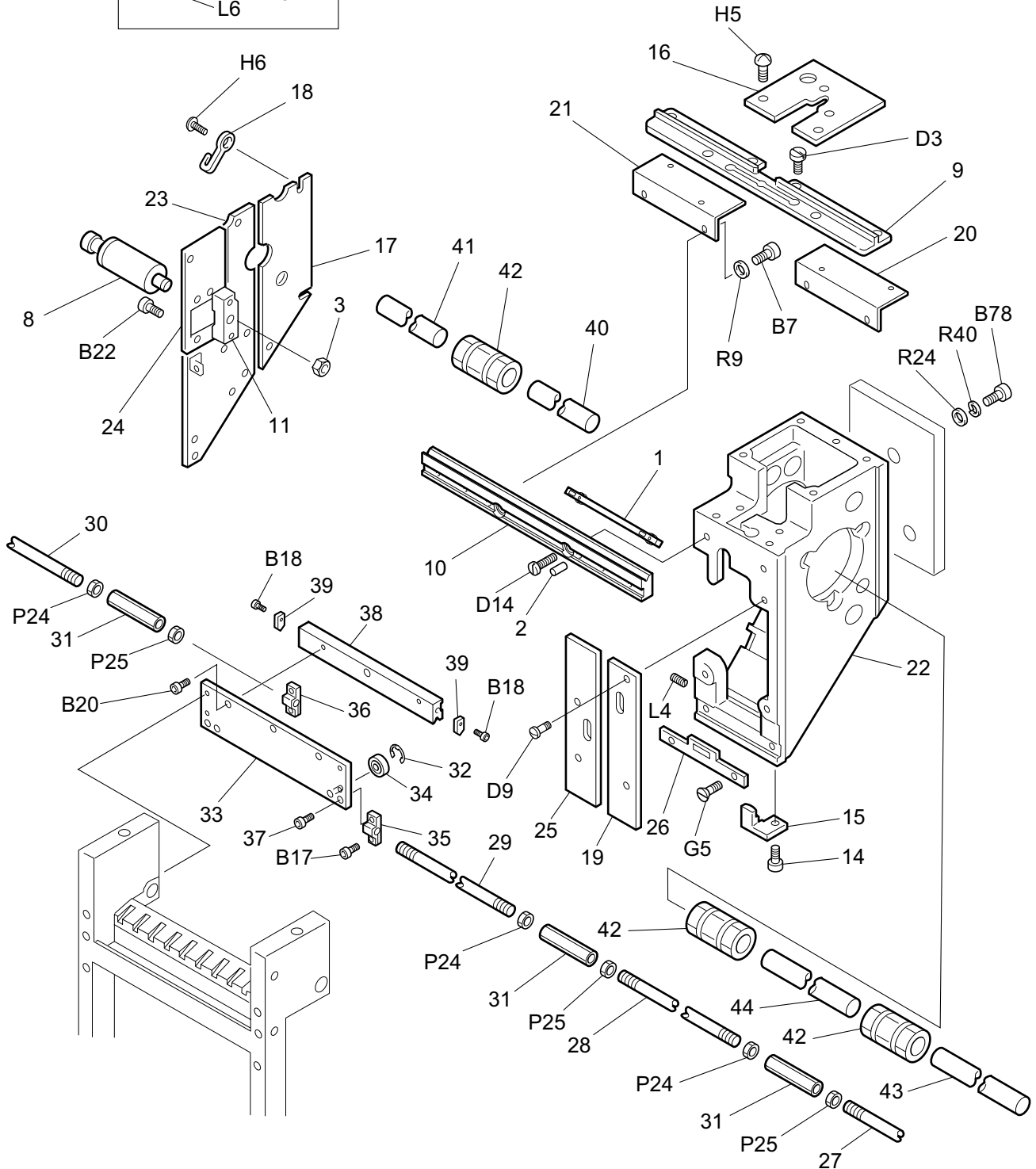
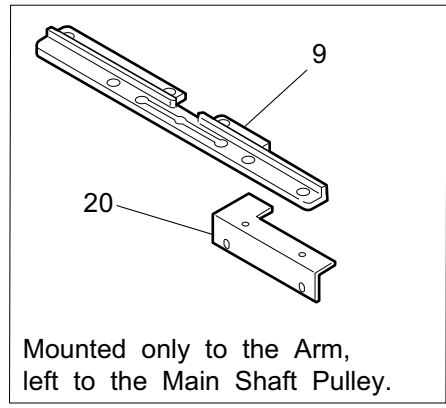
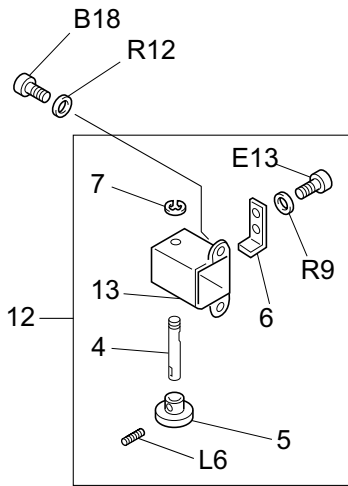
Ref.No.	Description	Part No.	Remark
1	Connecting Lever Pin	AT0206000000	
2	Connecting Stud	AT0208000000	
3	Knife Drive Arm	AT0205000000	
4	Knife Connecting Lever	AT0207000000	
5	Knife Drive Shaft Set	EG0205030000	
6	Solenoid Cover	EG02100A0000	
7	Bushing	EG0211000000	
8	Picker Connecting Stud	EG0212000000	
9	Wide Picker	EG0213000000	
10	Solenoid Base	EG0214000000	
12	Stepped Pin	EG0215000000	
14	Connecting Lever Pin	EG0217000000	
15	Compressed Spring	EG0218000000	
16	E-ring	BPE400000000	
17	Needle Bar O-Ring	EF0621000000	
18	Eccentric Stopper	EG0220000000	
20	Adjusting Liner	FX0209000000	0.1mm Thick
21	Adjusting Liner	FX0210000000	0.05mm Thick
22	Knife Base	FX0203000000	
28	Presser Foot Spring B	EF0614B30000	
29	Hexagon Socket Head Cap Screw	EG0219000000	
30	Solenoid	AT6806D10000	
31	Connecting Rod	EG0251000000	
32	Solenoid Pin	EG0252000000	
33	Movable Knife	FX0227000000	
34	Fixed Knife	FX0228000000	
35	Under Thread Presser	FX0229000000	
36			
37			
38			
39			
40			
41			
42			
43			
44			
45			
46			
47			
48			
49			
50			
51			
52			
53			
54			
55			
56			
57			
58			



# TMFD COLOR CHANGE SYSTEM

ED-7

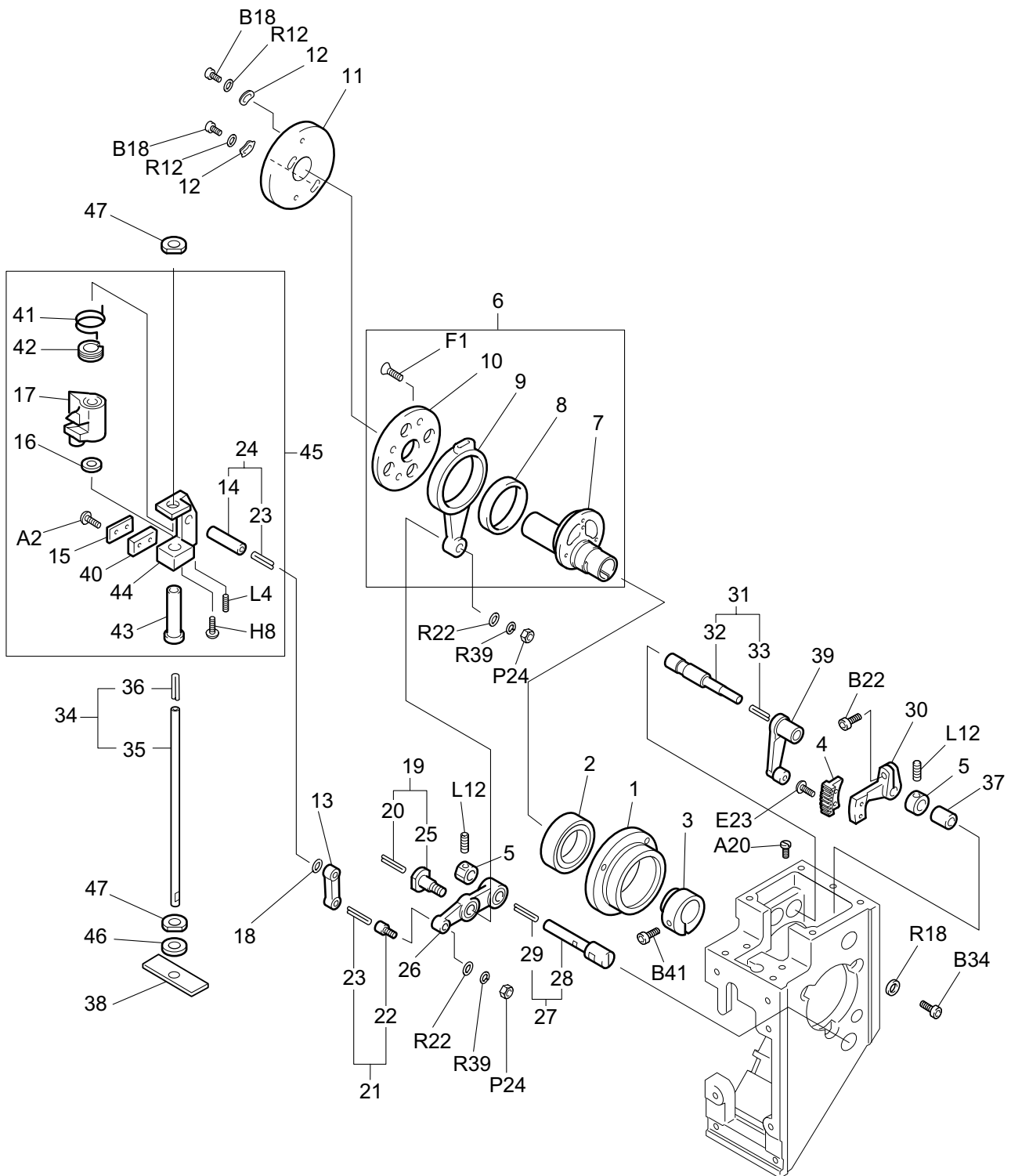
Ref.No.	Description	Part No.	Remark
1	Cam Shaft	MS040200####	
2	Slide Shaft	MS040300####	
3	Rotary Switch Pin	MS0407000000	
4	Rotary Switch Gear	MS0408000000	
5	Rotary Switch Stay	MS0409000000	
6	Rotary Switch	MS7102010000	
7	Middle Gear A	MS0410010000	
8	Middle Gear B	MS0411000000	
9	Change Cover Stud	MS0414000000	
10	Slide Boss	EF0402010000	
11	Slide Bearing	BPLME1222322	
12	Cam Pin	EF0403000000	
13	Cam Roller	EF0404000000	
14	E-ring	BPE300000000	
15	Cam Roller Set	EF0404S00000	
16	Color Change Cam Set	EF040501####	
17	Cam Shaft Bushing	EF0407000000	
18	Guide Shaft	EF040800####	
19	Motor Gear	EF0410000000	
20	Half-turn Gear	EF0414000000	
21	Half-turn Gear Bushing	EF0415000000	
22	8mm Dia. Collar	EF0418000000	
23	Model Name Plate	ED040100****	
24	Roller	EF0425000000	
25	Needle Position Indicating Belt	EF042600####	
26	Roller Base	EF0427000000	
27	Roller Pin	EF0428000000	
28	Belt Joint Plate	EF0429000000	
29	Base Split Collar	EF0430000000	
30	Dry Bearing	BPMB1010DU00	
31	10mm Dia. Collar	EF0924000000	
32	Color Change Motor	EG7101003R15	
33	Photo-interrupter	EG7102000000	
34	Change Cover	EG04040A0000	
35	Photo-interrupter Base	EG0402000000	
36	One-rotation Switch Collar	EG0401010000	
37	Color Change Box	FX04010A####	
38	Middle Shaft	FX040200####	
39	Color Change System Assembly	UN09002A****	
40	Color Change Cam Set	EF0405011200	12-Needle
41	Gear Head	EG7101003G09	
42	Cam Shaft Bushing B	FX0403000000	
43			
44			
45			
46			
47			
48			
49			
50			



# TMFD ARM 1

ED-8-1

Ref.No.	Description	Part No.	Remark
1	Slide Roller	EF055300####	
2	Spring Pin		3P*12
3	Hexagon Nut	EG0548000000	
4	Clutch Pin	EF0540000000	
5	Clutch Knurled Screw	EF0539000000	
6	Stopper Plate Spring	ME0544000000	
7	E-ring	BPE500000000	
8	Jump Solenoid	EG6801020000	
9	Take-up Lever Guide Rail	EF05140A****	
9	Take-up Lever Guide Rail	FX05590A****	12-Needle
9	Take-up Lever Guide Rail	ED050100####	For M/C 6246mm or longer
10	Arm Rail, Upper	EF052603####	
10	Arm Rail, Upper	FX0557010000	12-Needle
11	Solenoid Bracket	EG0508020000	
12	Solenoid Cover Set	UN25006A0000	
13	Solenoid Cover	EG05100A0000	
14	Hexagon Socket Head Cap Screw	EG0219000000	
15	Positioning Plate	FX0526000000	
16	Arm Top Cover	EG05320A0000	
17	Arm Side Cover B	FX0554AA0000	
18	Cord Clip	PB000700EB00	
19	Arm Front Cover R	FX0555RB0000	
20	Take-up Lever Rail Holder R	FX0556RB****	
20	Take-up Lever Rail Holder R	ED0502RA####	For M/C 6246mm or longer
21	Take-up Lever Rail Holder L	FX0556LB####	
22	Arm	FX05010A0000	
23	Arm Side Cover A	EG05180A0000	
24	Jump Base	EG0546010000	
25	Arm Front Cover L	FX0555LB0000	
26	Arm Guide Plate	FX0525040000	
27	Slide Shaft A	MX0811A0****	
28	Slide Shaft B	MX0811B0****	
29	Slide Shaft C	MX0811C0****	
30	Slide Shaft D	MX0811D0****	
31	M6 Joint	EF0827010000	
32	E-ring	BPE300000000	
33	Guide Roller Base	FX060700####	
34	Ball Bearing	BPR1340ZZ00	
35	Color Change Bracket R	FX0609R00000	
36	Color Change Bracket L	FX0609L00000	
37	Change Bracket Set Screw	FX0611000000	
38	Case Rail, Upper	FX060602####	
39	Roller Stopper	FX0635000000	
40	Needle Bar Drive Shaft C	ED0810C0****	
41	Needle Bar Drive Shaft D	ED0810D1****	
42	N-Coupling	BPN150150000	
43	Needle Bar Drive Shaft A	ED0810A0****	
44	Needle Bar Drive Shaft B	ED0810B0****	
45			
46			

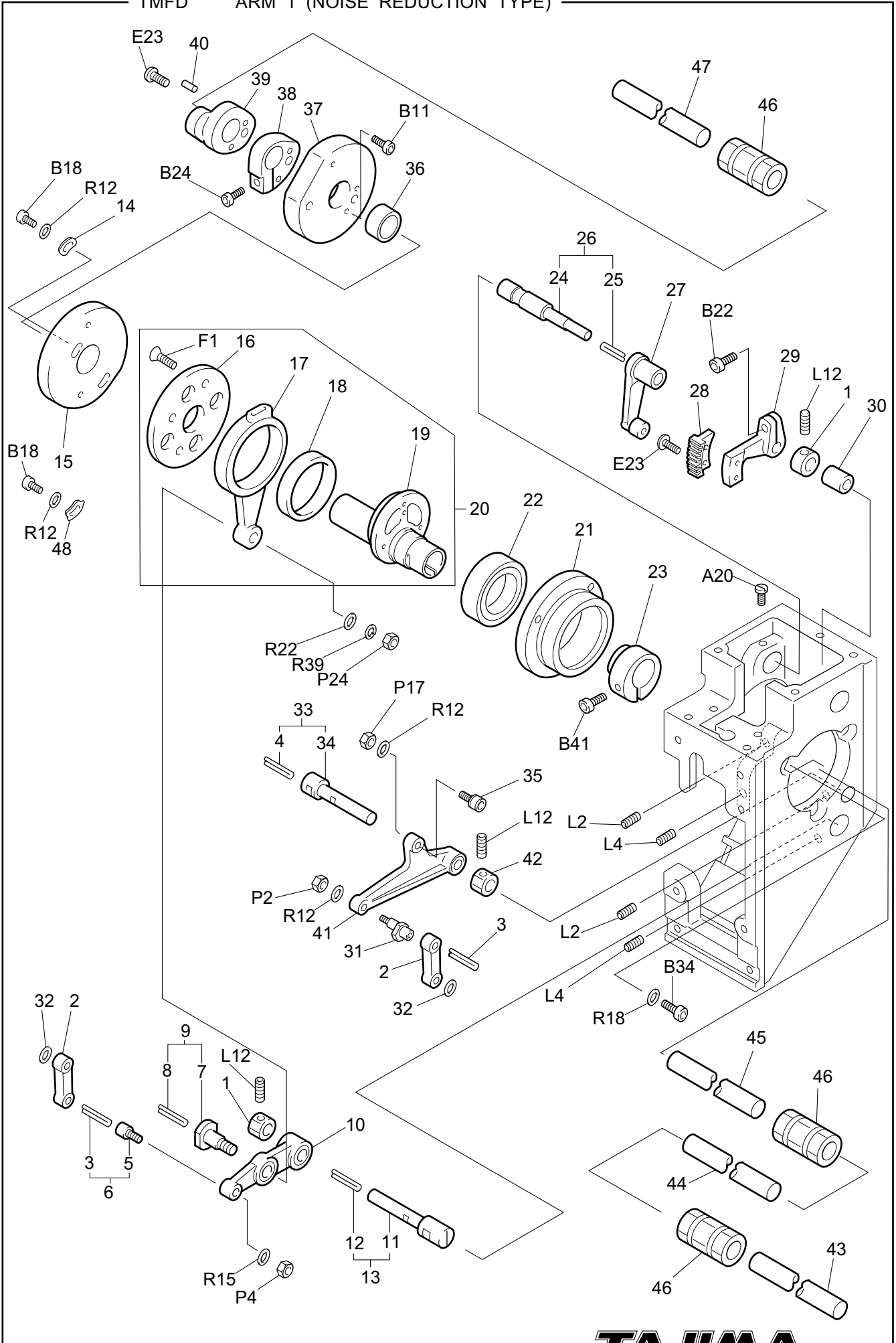




# TMFD ARM 2

ED-8-2

Ref.No.	Description	Part No.	Remark
1	Bearing Case	EF0502010000	
2	Ball Bearing	BP6004ZZ0000	
3	Needle Bar Cam Tightening Collar	EF0508000000	
4	Take-up Lever Drive Gear	EF0517010000	
5	8mm Dia. Collar	EF0418000000	
6	Needle Bar Driver Set	UN2501000000	
7	Needle Bar Drive Cam	EF0504010000	
8	Needle Cage	BPK384188X01	
9	Connecting Rod	EF0505010000	
10	Take-up Lever Cam Base	EF0507010000	
11	Take-up Lever Drive Cam	EF0563000000	
12	Cam Washer	EF0522000000	Inside
12	Cam Washer A	EF0522A00000	Outside
13	Needle Bar Drive Connecting Rod	EF0513000000	
14	No.4 Pin	EF0512000000	
15	Stopper Bracket	EF0534000000	
16	Needle Bar Reciprocator Spacer	EF0554000000	
17	Needle Bar Reciprocator	EF0532020000	
18	Connecting Rod Washer	EF0555000000	
19	No.1 Pin Set	FX0506S10000	
20	Wick A	EF0556000000	
21	No.3 Pin Set	EF0511S10000	
22	No.3 Pin	EF0511010000	
23	Wick B	EF0557000000	
24	No.4 Pin Set	EF0512S00000	
25	No.1 Pin	FX0506010000	
26	Needle Bar Drive Lever Set	EG0527000000	
27	No.2 Pin Set	EG0528S00000	
28	No.2 Pin	EG0528000000	
29	Wick A	EG0543000000	
30	Take-up Lever Drive Lever B	EG0529000000	
31	Take-up Lever Drive Lever Pin Set	EF0530S00000	
32	Take-up Lever Drive Lever Pin	EG0530000000	
33	Wick B	EG0544000000	
34	Needle Bar Drive Shaft Set	UN2501102000	
35	Needle Bar Drive Shaft	FX0522020000	
36	Needle Bar Drive Shaft Wick	EG0536000000	
37	Bearing Brass	EG0541000000	
38	Needle Bar Drive Shaft Felt	FX0524000000	
39	Take-up Lever Drive Lever A Set	EG0521040000	
40	Stopper	EF0561010000	
41	Jump Spring	FX0516000000	
42	Spring Cradle	FX0564000000	
43	Needle Bar Drive Shaft Bushing	CX0506010000	
44	Reciprocator Slide Block	EF0560010000	
45	Needle Bar Reciprocator Set	UN2500910000	
46	Bearing Case Collar	ME0555000000	
47	Needle Bar Drive Shaft Felt A	FX0561010000	
48			
49			



# TMFD ARM 1 (NOISE REDUCTION TYPE)

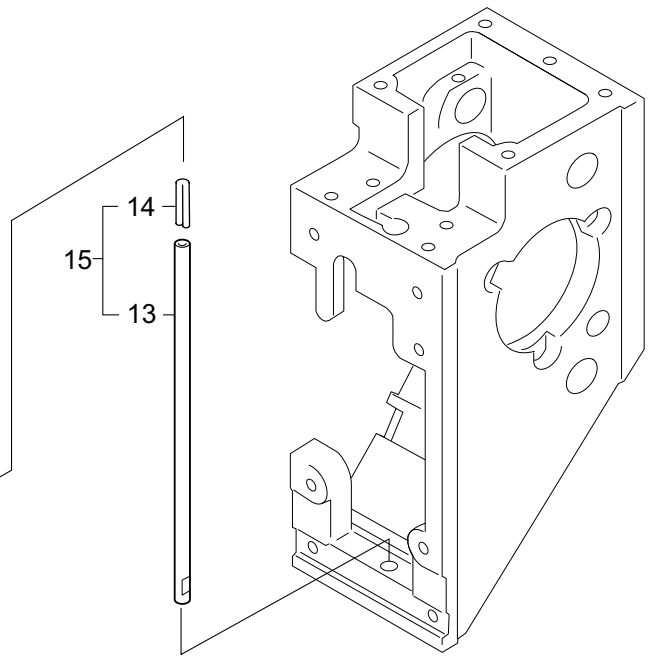
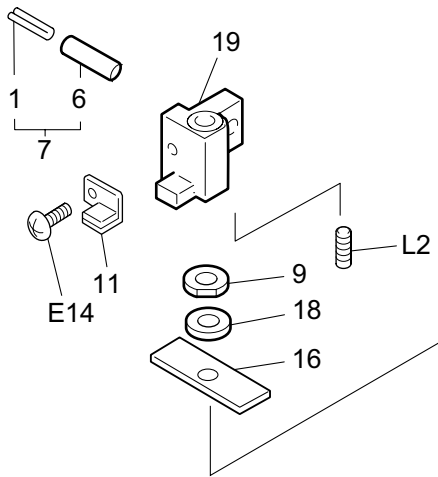
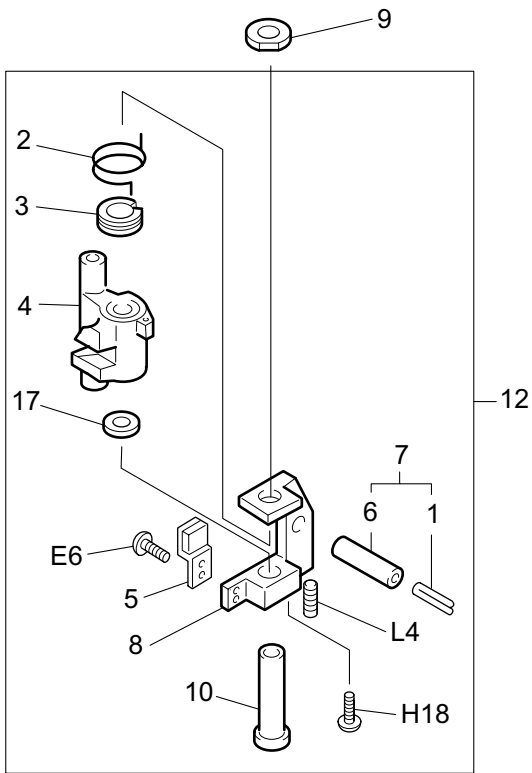
EDN-8-1

Ref.No.	Description	Part No.	Remark
1	8mm Dia. Collar	EF0418000000	
2	Needle Bar Drive Connecting Rod	EF0513000000	
3	Wick B	EF0557000000	
4	Wick C	EF0558000000	
5	No.3 Pin	EF0511010000	
6	No.3 Pin Set	UN2505101000	
7	No.1 Pin	FX0506010000	
8	Wick A	EF0556000000	
9	No.1 Pin Set	UN2505601000	
10	Needle Bar Drive Lever Set	EG0527000000	
11	No.2 Pin	EG0528000000	
12	Wick A	EG0543000000	
13	No.2 Pin Set	UN2505300000	
14	Cam Washer	EF0522000000	Inside
15	Take-up Lever Drive Cam	EF0563000000	
16	Take-up Lever Cam Base	EF0507010000	
17	Connecting Rod	EF0505010000	
18	Needle Cage	BPK384188X01	
19	Needle Bar Drive Cam	FX0502000000	
20	Needle Bar Driver Set	UN25010000NR	
21	Bearing Case	EF0502010000	
22	Ball Bearing	BP6004ZZ0000	
23	Needle Bar Cam Tightening Collar	EF0508000000	
24	Take-up Lever Drive Lever Pin	EG0530000000	
25	Wick B	EG0544000000	
26	Take-up Lever Drive Lever Pin Set	UN2505400000	
27	Take-up Lever Drive Lever A Set	EG0521040000	
28	Take-up Lever Drive Gear	EF0517010000	
29	Take-up Lever Drive Lever B	EG0529000000	
30	Bearing Brass	EG0541000000	
31	Eccentric Pin	MX0511010000	
32	Connecting Rod Washer	EF0555010000	
33	No.1 Drive Shaft Set	UN2505501000	
34	No.1 Drive Shaft	FX0504010000	
35	Cam Follower	BPCFS4000000	
36	Cam Spacer	MX0505000000	
37	Presser Foot Cam	MX0508020000	
38	Presser Foot Cam Boss	MXJ509000000	
39	Jump Cam	FXJ561000000	
40	Spring Pin	BPSP03100000	3P*10
41	Drive Lever	MX0510020000	
42	8mm Dia. Collar	MX0507000000	
43	Needle Bar Drive Shaft A	ED0510A0****	
44	Needle Bar Drive Shaft B	ED0810B0****	
45	Needle Bar Drive Shaft C	ED0810C0****	
46	N-Coupling	BPN150150000	
47	Needle Bar Drive Shaft D	ED0811D1****	
48	Cam Washer A	EF0522A00000	Outside
49			
50			

Note: As for parts with marks # or \* please follow our instructions on Tab of Client's invoice parts order.

From the library of: Superior Sewing Machine & Supply LLC

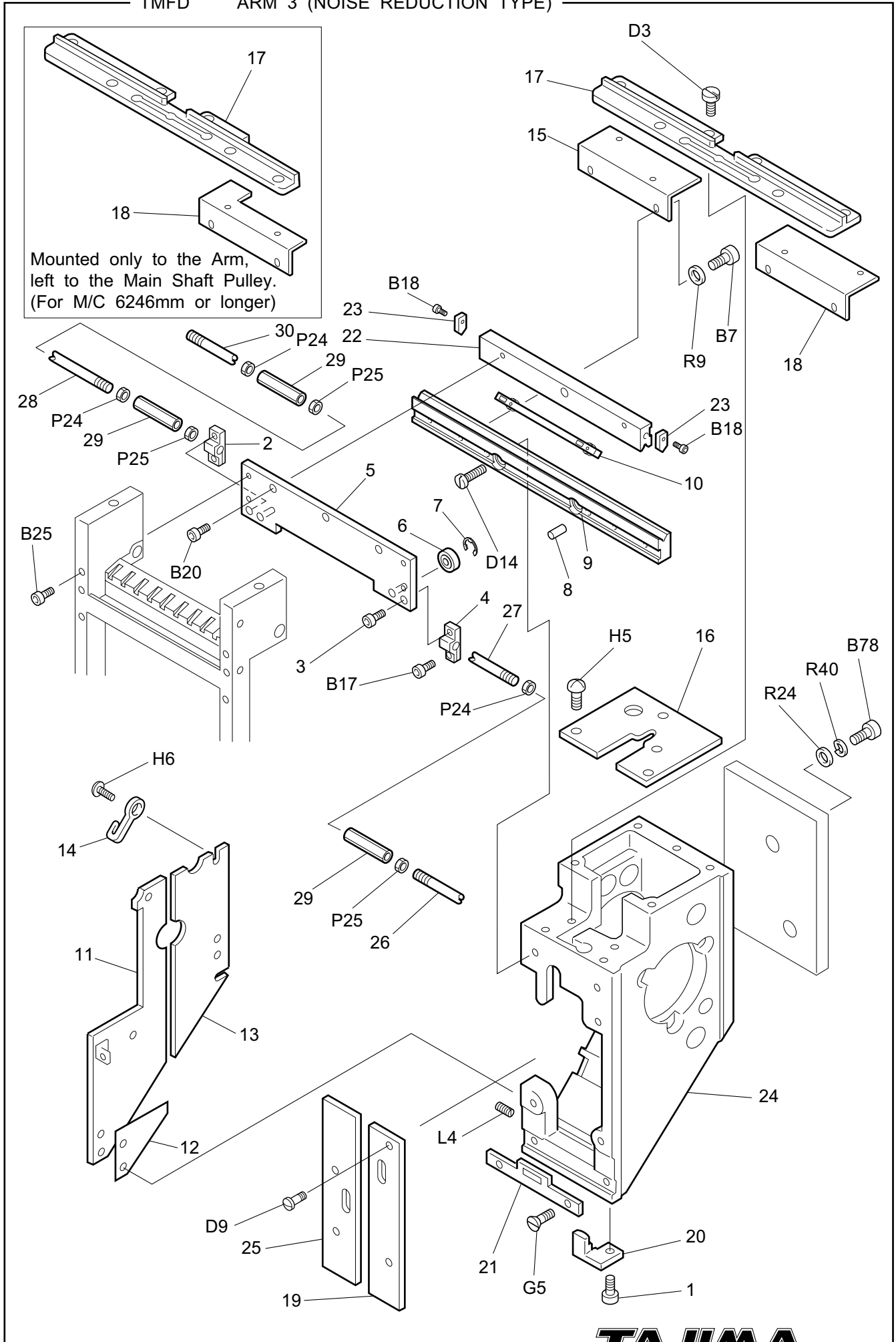
iBH05 j



# TMFD ARM 2 (NOISE REDUCTION TYPE)

EDN-8-2

Ref.No.	Description	Part No.	Remark
1	Wick B	EF0557000000	
2	Jump Spring	FX0516000000	
3	Spring Cradle	FX0564000000	
4	Needle Bar Reciprocator	FX0515000000	
5	Stopper Base	FX0519000000	
6	No.4 Pin	EF0512000000	
7	No.4 Pin Set	UN2505200000	
8	Reciprocator Slide Block	FX0565000000	
9	Needle Bar Drive Shaft Felt A	FX0561010000	
10	Needle Bar Drive Shaft Bushing	CX0506010000	
11	Cushion Bracket	FX0521000000	
12	Needle Bar Reciprocator Set	UN25009100NR	
13	Needle Bar Drive Shaft	FX0522020000	
14	Needle Bar Drive Shaft Wick	EG0536000000	
15	Needle Bar Drive Shaft Set	UN2501102000	
16	Needle Bar Drive Shaft Felt	FX0524000000	
17	Needle Bar Reciprocator Spacer	EF0554000000	
18	Bearing Case Collar	ME0555000000	
19	Presser Foot Reciprocator	FX0520040000	
20			
21			
22			
23			
24			
25			
26			
27			
28			
29			
30			
31			
32			
33			
34			
35			
36			
37			
38			
39			
40			
41			
42			
43			
44			
45			
46			
47			
48			
49			
50			



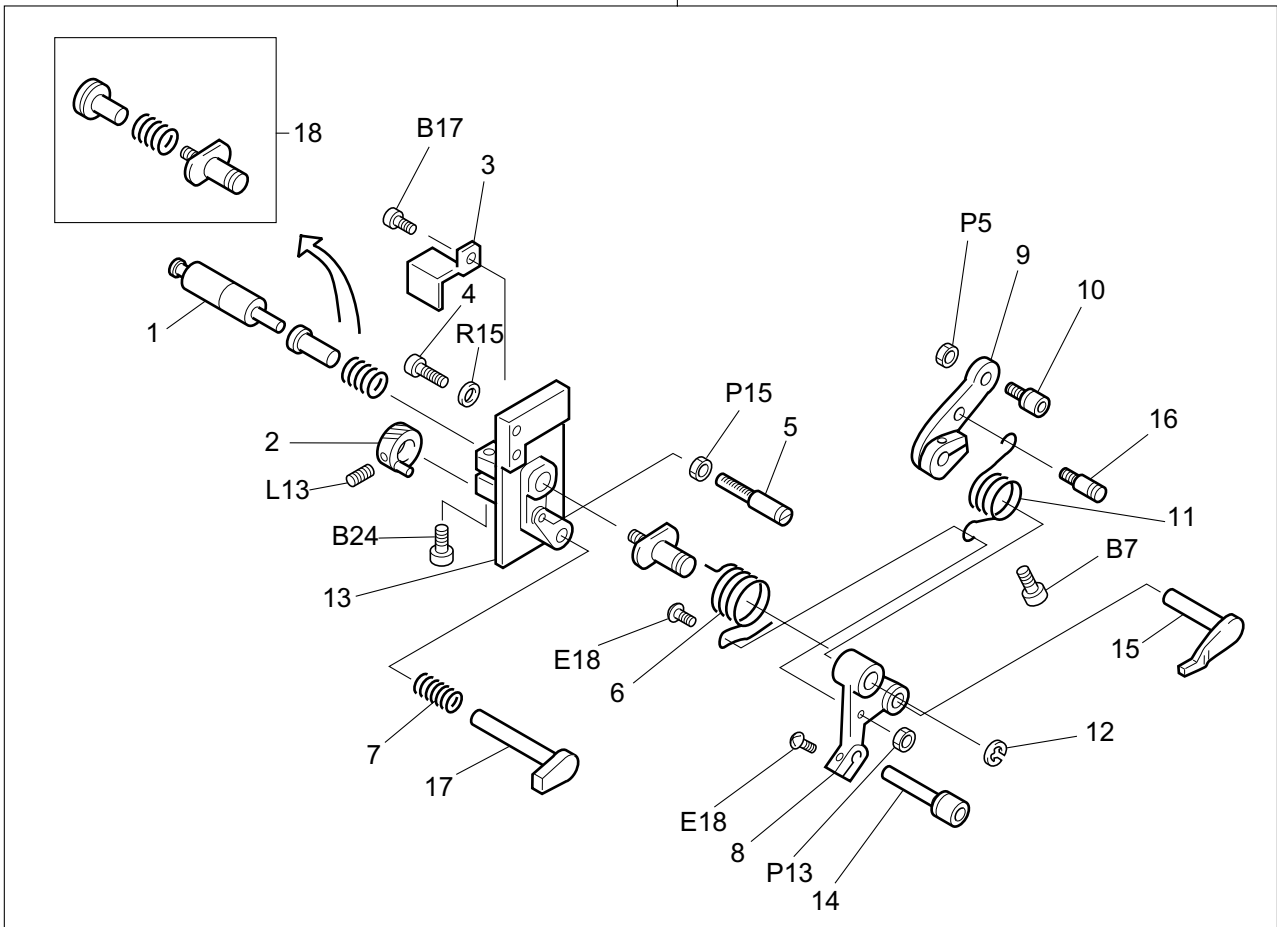
Mounted only to the Arm,  
left to the Main Shaft Pulley.  
(For M/C 6246mm or longer)

# TMFD ARM 3 (NOISE REDUCTION TYPE)

EDN-8-3

Ref.No.	Description	Part No.	Remark
1	Hexagon Socket Head Cap Screw	EG0219000000	
2	Color Change Bracket L	FX0609L00000	
3	Change Bracket Set Screw	FX0611000000	
4	Color Change Bracket R	FX0609R00000	
5	Guide Roller Base	FX060700####	
6	Ball Bearing	BPR1340ZZ000	
7	E-ring	BPE300000000	
8	Spring Pin	BPSP03120000	3P*12
9	Arm Rail, Upper	EF052603####	
9	Arm Rail, Upper	FX0557010000	12-Needle
10	Slide Roller	EF055300####	
11	Arm Side Cover A	FXJ5530A0000	
12	Seal Packing	FX0553200000	
13	Arm Side Cover B	FX0554AA0000	
14	Cord Clip	PB000700EB00	
15	Take-up Lever Rail Holder L	FX0556LB****	
16	Arm Top Cover	EG05320A0000	
17	Take-up Lever Guide Rail	EF05140A****	
17	Take-up Lever Guide Rail	FX05590A0000	12-Needle
17	Take-up Lever Guide Rail	ED050100####	For M/C 6246mm or longer
18	Take-up Lever Rail Holder R	FX0556RB####	
18	Take-up Lever Rail Holder R	ED0502RA####	For M/C 6246mm or longer
19	Arm Front Cover R	FX0555RB0000	
20	Positioning Plate	FX0526000000	
21	Arm Guide Plate	FX0525040000	
22	Case Rail, Upper	FX060602####	
23	Roller Stopper	FX0635000000	
24	Arm	FX05010A0000	
25	Arm Front Cover L	FX0555LB0000	
26	Slide Shaft A	MX0811A0****	
27	Slide Shaft B	MX0811B0****	
28	Slide Shaft C	MX0811C0****	
29	M6 Joint	EF0827010000	
30	Slide Shaft D	MX0811D0****	
31			
32			
33			
34			
35			
36			
37			
38			
39			
40			
41			
42			
43			
44			
45			
46			

19

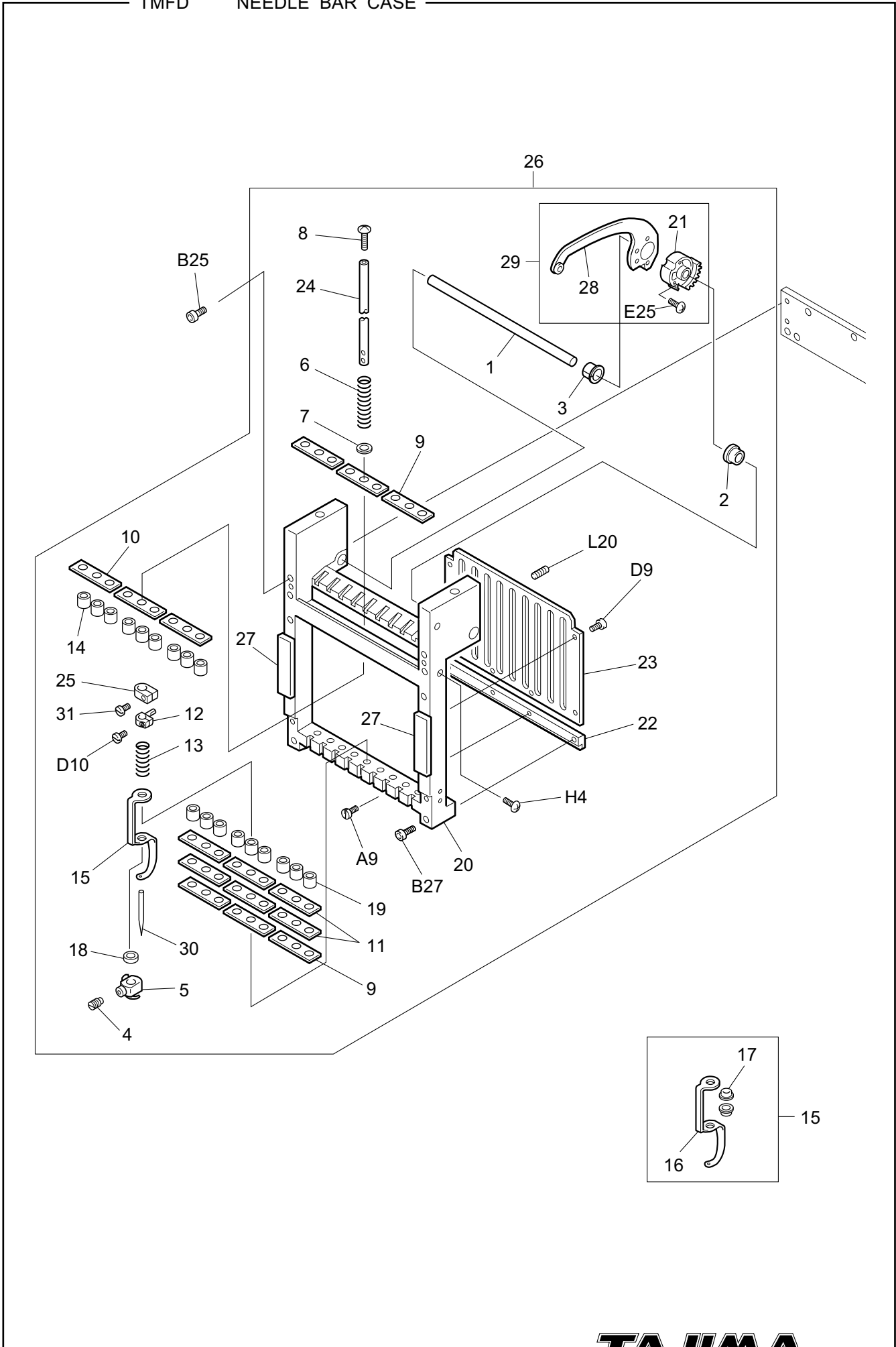




# TMFD ARM 4 (NOISE REDUCTION TYPE)

EDN-8-4

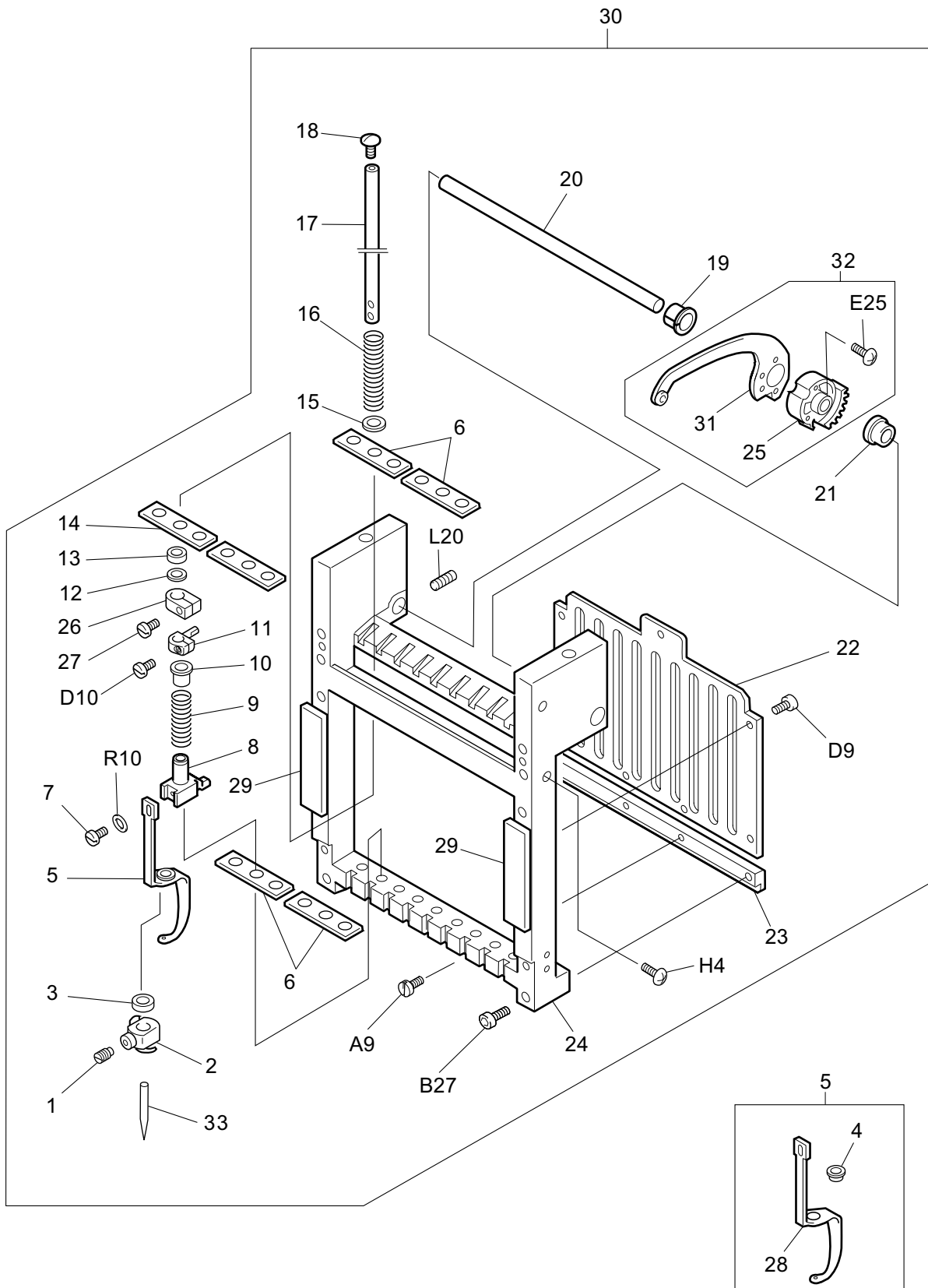
Ref.No.	Description	Part No.	Remark
1	Jump Solenoid	FX6801S20000	
2	Clutch Knurled Screw	FX0551000000	
3	Solenoid Cover	FX0548000000	
4	Hexagon Socket Head Cap Screw	EG0219000000	
5	Stopper Pin	FX0539000000	
6	Jump Kick Spring	FX0546000000	
7	Return Spring	FX0550000000	
8	Jump Lever	FX0540000000	
9	Cam Lever	FX0542000000	
10	Cam Roller Pin B	FX0543000000	
11	Cam Kick Spring	FX0547000000	
12	E-ring	BPE700000000	
13	Solenoid Bracket	FXJ5380A0000	
14	Cam Roller Eccentric Pin	FXJ541000000	
15	Solenoid Lever	FXJ544000000	
16	Spring Hook Pin B	FXJ545000000	
17	Clutch Lever	FXJ549000000	
18	Cylinder Set	UN2505700000	
19	Solenoid Bracket Set	UN25008A00ED	
20			
21			
22			
23			
24			
25			
26			
27			
28			
29			
30			
31			
32			
33			
34			
35			
36			
37			
38			
39			
40			
41			
42			
43			
44			
45			
46			
47			
48			
49			
50			



# TMFD NEEDLE BAR CASE

ED-9

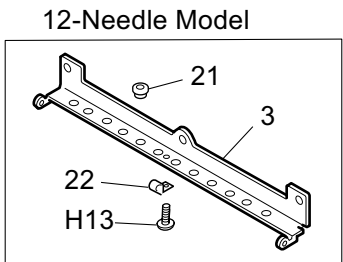
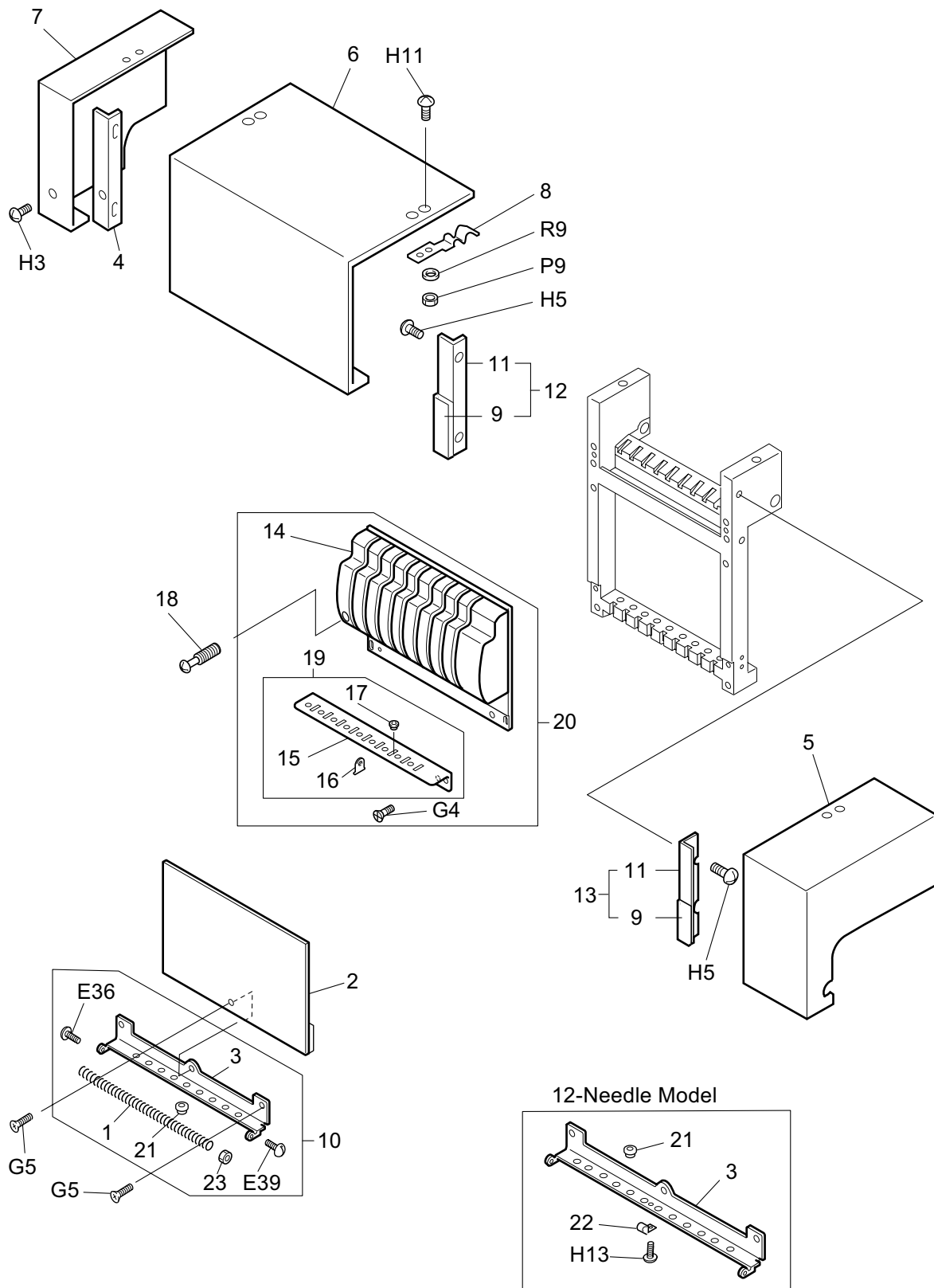
Ref.No.	Description	Part No.	Remark
1	Take-up Lever Shaft	EF060200####	
2	Take-up Lever Adjusting Bushing	EF0605000000	
3	Take-up Lever Positioning Bushing	EF0606000000	
4	Needle Set Screw	EF0615000000	
5	Needle Clamp	EF0616010000	
6	Needle Bar Holder Spring	EF0618030000	
7	Spring Shoe Washer	EF0619000000	
8	Holding Spring Set Screw	EF0620000000	
9	Felt Packing	EF062300####	
10	Cushion Rubber B	EF062700####	
11	Presser Foot Adjusting Rubber	EF0625A0****	0.5mm Thick
11	Presser Foot Adjusting Rubber	EF0625B0****	1.0mm Thick
12	Needle Bar Connecting Stud	FX0617000000	
13	Presser Foot Spring D	EF0614D20000	
14	Cushion Ring B	EF0643010000	
15	Presser Foot Set	EF0613030000	
16	Presser Foot	EF0613130000	
17	Presser Foot Bushing	EF0613220000	
18	Cushion Ring A	EF0642020000	
19	Cushion Ring C	EF0644020000	
20	Needle Bar Case	FX06010A####	
21	Take-up Lever Gear	EF0603010000	
22	Case Rail, Lower	FX061200####	
23	Needle Bar Guide Rail	FX061302####	
24	Needle Bar	FX0632000000	
25	Upper Dead Point Stopper	EF0617010000	
26	Needle Bar Case Set	UN260031####	
26	Needle Bar Case Set	UN26C031####	For Jumbo Rotary Hook
27	Magnet Rubber, Vertical	EF0635210300	
28	Take-up Lever	FX0603010000	
28	Take-up Lever	FXC603010000	For Jumbo Rotary Hook
29	Take-up Lever Gear Set	FX0603S10000	
30	Needle	EF0640000000	
31	Flat Fillister Head Screw	EF0647000000	
32			
33			
34			
35			
36			
37			
38			
39			
40			
41			
42			
43			
44			
45			
46			
47			



# TMFD NEEDLE BAR CASE (NOISE REDUCTION TYPE)

EDN-9

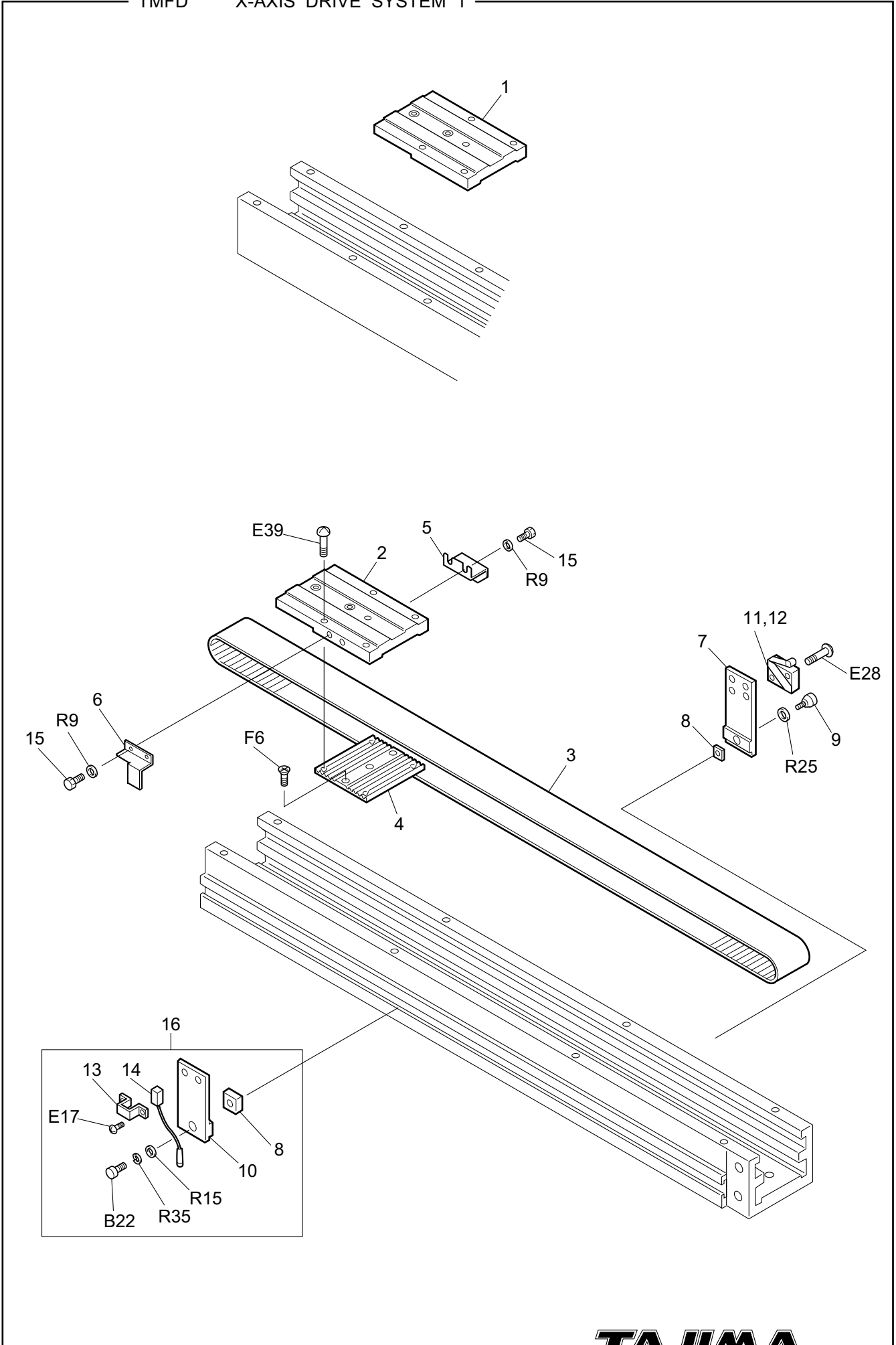
Ref.No.	Description	Part No.	Remark
1	Needle Set Screw	EF0615000000	
2	Needle Clamp	EF0616010000	
3	Cushion Ring A	EF0642020000	
4	Presser Foot Bushing	EF0613220000	
5	Presser Foot Set	FX0620000000	
6	Felt Packing	EF062300####	
7	Presser Foot Set Screw	FX0622000000	
8	Presser Foot Connecting Stud	FX0621010000	
9	Presser Foot Spring D	FX0619D10000	
10	Presser Foot Spring Holder	FX0618010000	
11	Needle Bar Connecting Stud	FX0617000000	
12	Cushion Ring E	FX0615000000	
13	Cushion Ring F	FX0616010000	
14	Cushion Rubber B	EF062700####	
15	Spring Shoe Washer	EF0619000000	
16	Needle Bar Holder Spring	FX0634010000	
17	Needle Bar	FX0632000000	
18	Holding Spring Set Screw	EF0620000000	
19	Take-up Lever Positioning Bushing	EF0606000000	
20	Take-up Lever Shaft	EF060200####	
21	Take-up Lever Adjusting Bushing	EF0605000000	
22	Needle Bar Guide Rail	FX061302####	
23	Case Rail, Lower	FX061200####	
24	Needle Bar Case	FX06010A####	
25	Take-up Lever Gear	EF0603010000	
26	Upper Dead Point Stopper	EF0617010000	
27	Flat Fillister Head Screw	EF0647000000	
28	Presser Foot	FX0620100000	
29	Magnet Rubber, Vertical	EF0635210300	
30	Needle Bar Case Set	UN260041####	
30	Needle Bar Case Set	UN26C041####	For Jumbo Rotary Hook
31	Take-up Lever	FX0603010000	
31	Take-up Lever	FXC603010000	For Jumbo Rotary Hook
32	Take-up Lever Gear Set	FX0603S10000	
32	Take-up Lever Gear Set	FXC603S10000	For Jumbo Rotary Hook
33	Needle	EF0640000000	
34			
35			
36			
37			
38			
39			
40			
41			
42			
43			
44			
45			
46			
47			



# TMFD FRONT COVER

ED-10

Ref.No.	Description	Part No.	Remark
1	Thread Hook Spring	EF063100####	
2	Face Plate	EC060101####	
3	Lower Thread Guide	FX062601####	
4	Cover Attaching Bracket C	FX0628C00000	
5	Front Cover A	MX08150A0000	
6	Front Cover B	MX08160A****	
7	Front Cover C	MX08170A####	
8	Cover Plate Spring	FX0805010000	
9	Plate Magnet	FX0628200000	
10	Lower Thread Guide Set	UN260060####	
11	Cover Attaching Bracket	FX0628030000	
12	Cover Attaching Bracket L	FX0628L30000	
13	Cover Attaching Bracket R	FX0628R30000	
14	Top Cover	CX067100####	
14	Top Cover	CXC67100####	For Jumbo Rotary Hook
15	Middle Thread Guide	CX067210####	
16	Thread Guide	MX0522000000	
17	Thread Guide	MX0521000000	
18	Top Cover Attaching Screw	CX0675000000	
19	Middle Thread Guide Set	CX067200####	
20	Top Cover Set	UN260022****	
20	Top Cover Set	UN26C022****	For Jumbo Rotary Hook
21	Thread Guide	FX0626110000	
22	Spring Presser Bracket	FX0633010000	12-Needle
23	Hexagon Nut	EF0646000000	
24			
25			
26			
27			
28			
29			
30			
31			
32			
33			
34			
35			
36			
37			
38			
39			
40			
41			
42			
43			
44			
45			
46			
47			
48			

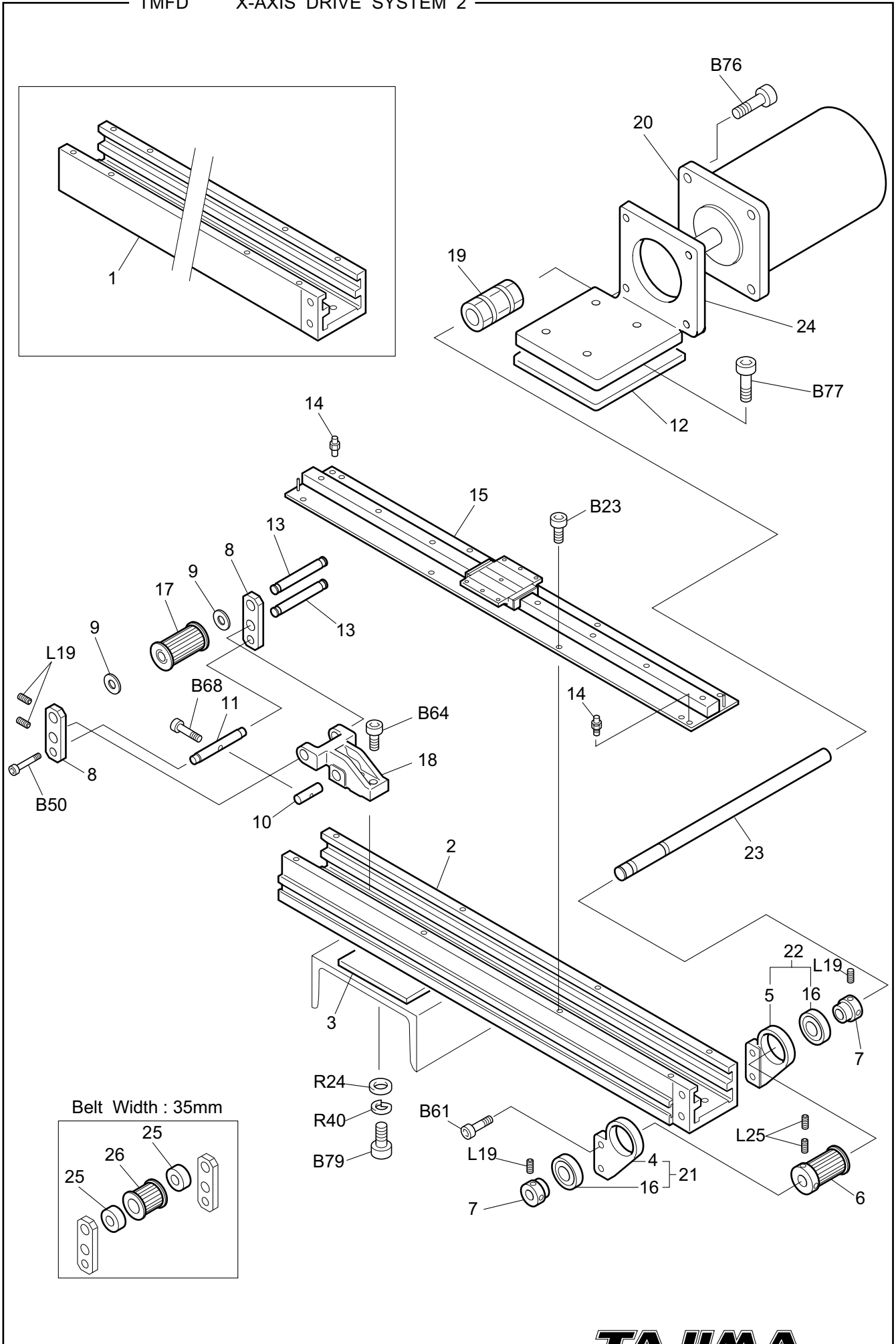




# TMFD X-AXIS DRIVE SYSTEM 1

ED-11-1

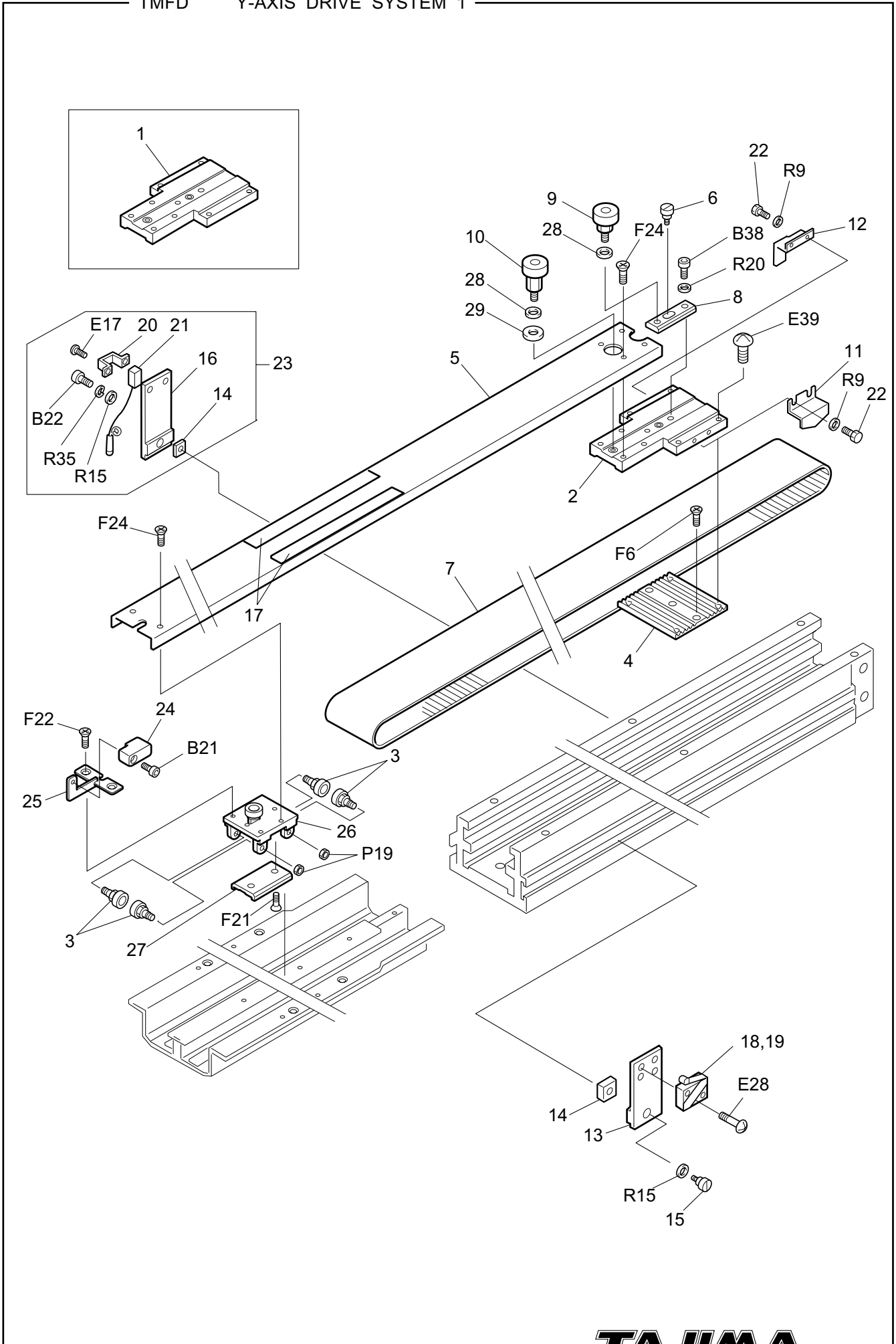
Ref.No.	Description	Part No.	Remark
1	X-axis Feed Plate A	CTZ701A00000	35mm wide type
1	X-axis Feed Plate C	CTZ701C00000	50mm wide type
2	X-axis Feed Plate B	CTZ701B00000	35mm wide type
2	X-axis Feed Plate D	CTZ701D00000	50mm wide type
3	Timing Belt	BPS5M35N****	35mm wide type
3	Timing Belt	BPS5M50N****	50mm wide type
4	Belt Catcher Plate	MX0732000000	
5	LS Dog Base	MX0730010000	
6	0-point Search Plate	MX0731010000	
7	Limit Switch Base B	EG0727B10000	
8	Fixing Base	EG0730000000	
9	Adjusting Knob	EG0731000000	
10	Sensor Attaching Base B	EG0732B10000	
11	Limit Switch	PB001000SP00	
12	Actuator	MS6602000000	
13	Proximity Switch Lock	PB001000KN01	
14	Proximity Switch	PB001000KN00	
15	Hexagon Bolt	EG0780000000	
16	Proximity Switch B Set	UN110161B000	
17			
18			
19			
20			
21			
22			
23			
24			
25			
26			
27			
28			
29			
30			
31			
32			
33			
34			
35			
36			
37			
38			
39			
40			
41			
42			
43			
44			
45			
46			
47			



# TMFD X-AXIS DRIVE SYSTEM 2

ED-11-2

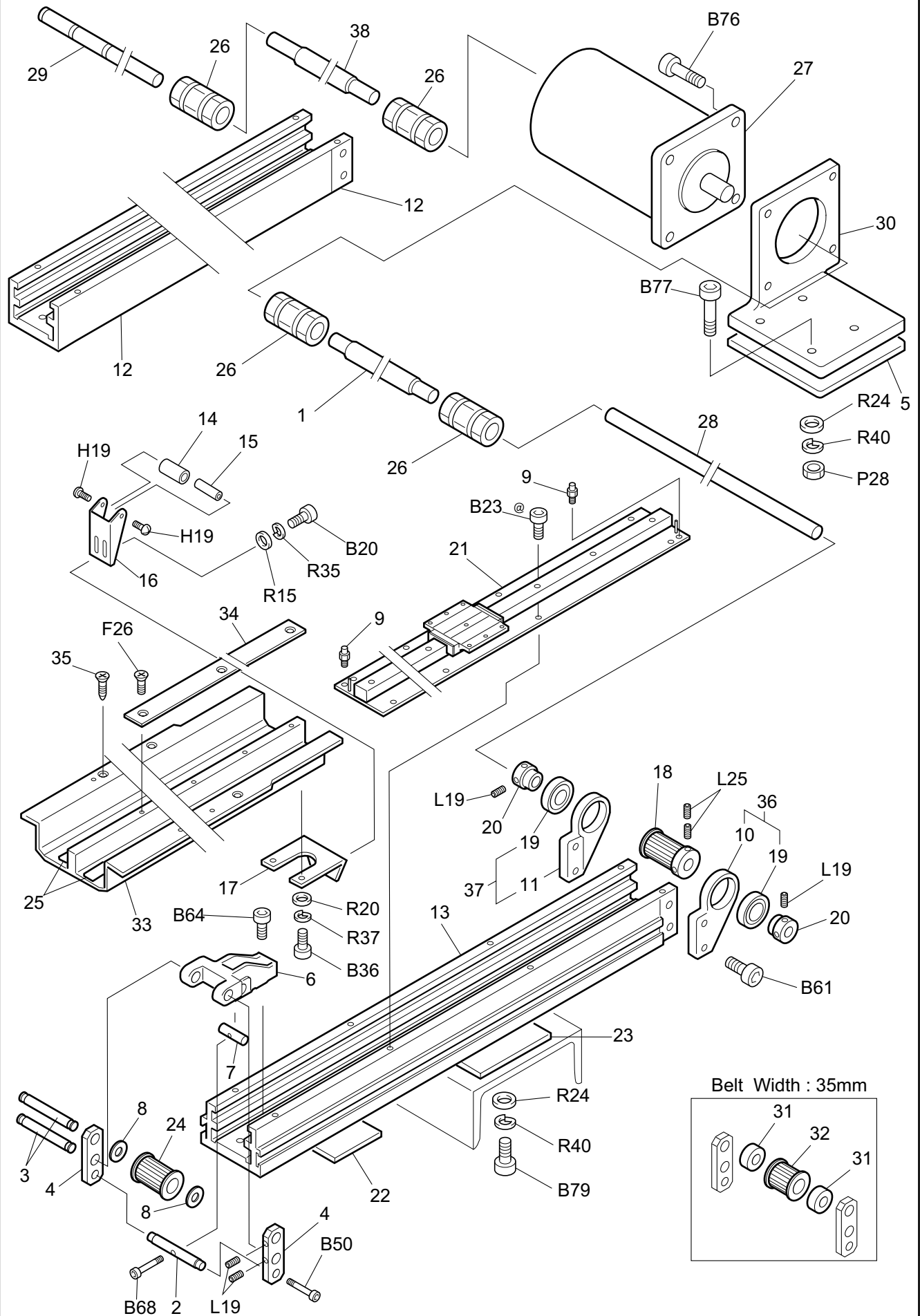
Ref.No.	Description	Part No.	Remark
1	X-axis Driver Frame A	MX0721A0****	
2	X-axis Driver Frame B	MX0721B0****	
3	Driver Spacer C	EF083100****	
4	Bearing Case Plate L	MX0733L00000	
5	Bearing Case Plate R	MX0733R00000	
6	Driver-side Timing Pulley A	MX0710A00000	35mm wide type
6	Driver-side Timing Pulley B	MX0710B00000	50mm wide type
7	15mm Dia. Bearing Collar	EG0227000000	
8	Vertical Tension Base	MX0723000000	
9	Washer	BPRTW1225000	
10	Driver Tension Shaft	MX0728000000	
11	Tension Shaft	MX0724000000	
12	Pulse (Stepping) Motor Bracket Spacer	CT087300****	0.5t□1.0t□2.0t
13	Tension Pulley Shaft	MX0725000000	
14	Stopper	MX0729000000	
15	X-axis Drive Linear Base Set	MX074800****	
16	Ball Bearing	BP6003ZZ0000	
17	Tension-side Timing Pulley B Set	UN110030B000	50mm wide type
18	Tension Base Holder	MX0734000000	
19	N-Coupling	BPN150150000	
20	Pulse (Stepping) Motor	EH6403000000	M/C 5635mm or shorter
20	Pulse (Stepping) Motor	LG6404000000	
21	Bearing Case Plate L (with Bearing)	MXS733L00000	
22	Bearing Case Plate R (with Bearing)	MXS733R00000	
23	X-axis Drive Shaft	ED083600****	Standard
23	X-axis Drive Shaft	EDG83600****	
24	Pulse Motor Bracket	CT0872000000	
25	Tension Spacer	MX0726000000	
26	Tension-side Timing Pulley A Set	UN110030A000	35mm wide type
27			
28			
29			
30			
31			
32			
33			
34			
35			
36			
37			
38			
39			
40			
41			
42			
43			
44			
45			
46			
47			



# TMFD Y-AXIS DRIVE SYSTEM 1

ED-12-1

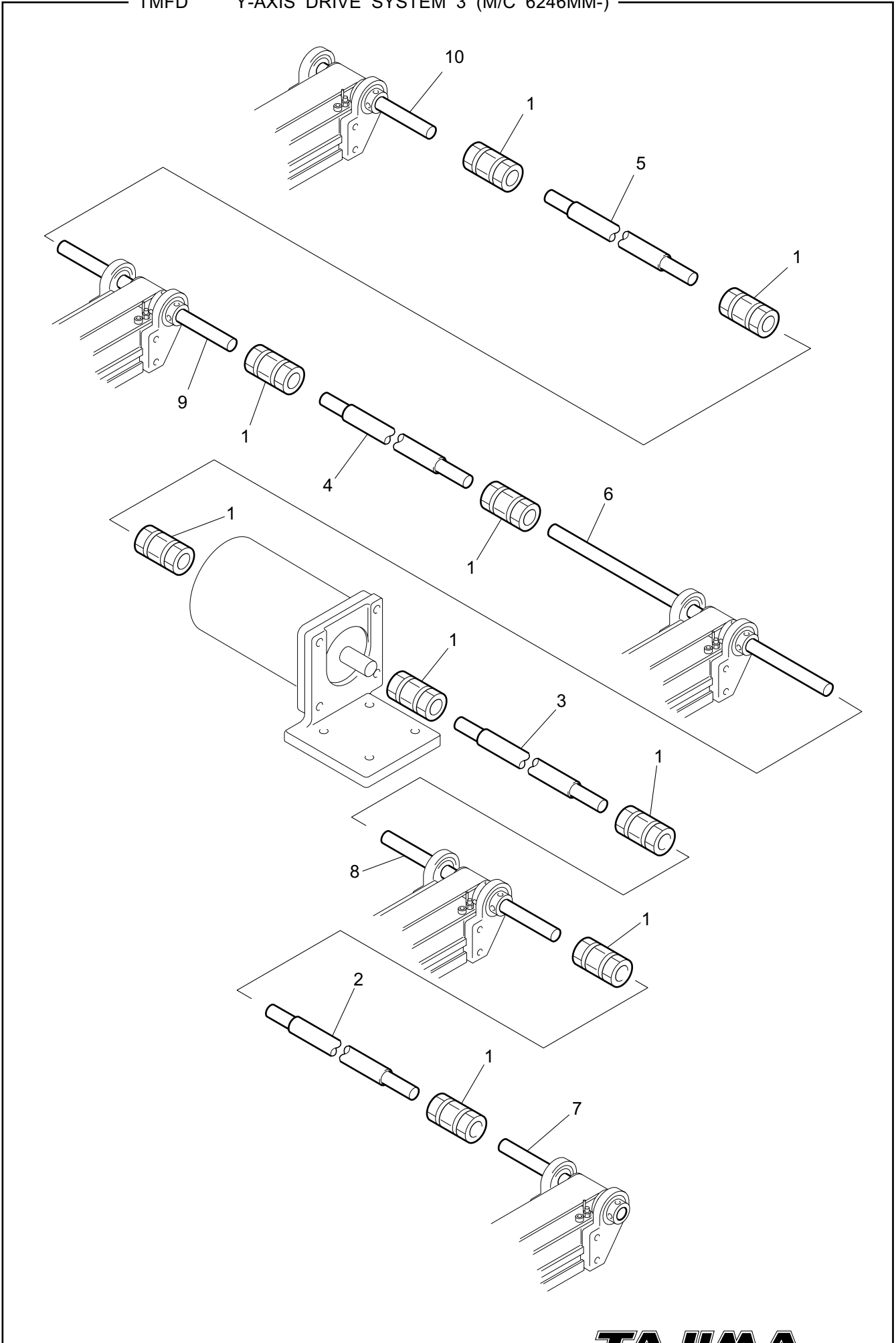
Ref.No.	Description	Part No.	Remark
1	Y-axis Feed Plate A	MX0736A00000	35mm wide type
1	Y-axis Feed Plate C	MX0736C00000	50mm wide type
2	Y-axis Feed Plate B	MX0736B00000	M/C 5635mm or shorter,35mm W
2	Y-axis Feed Plate D	MX0736D00000	50mm wide type
3	Y-axis Feed Front Pin	MX0742000000	
4	Belt Catcher Plate	MX0732000000	
5	Y-axis Feed Connecting Plate	MX073900****	
6	Roller Base Guide Pin	EG0718000000	
7	Timing Belt	BPS5M35N****	35mm wide type
7	Timing Belt	BPS5M50N****	50mm wide type
8	Presser Roller Base	EG0715020000	
9	Bearing Pin B	EG0779010000	
10	Bearing Pin A	EG0778010000	
11	LS Dog Base	MX0730010000	
12	0-point Search Plate	MX0731010000	
13	Limit Switch Base B	EG0727B10000	
14	Fixing Base	EG0730000000	
15	Adjusting Knob	EG0731000000	
16	Sensor Attaching Base B	EG0732B10000	
17	Connecting Plate Felt	MX0704100000	Y:680mm or longer
18	Limit Switch	PB001000SP00	
19	Actuator	MS6602000000	
20	Proximity Switch Lock	PB001000KN01	
21	Proximity Switch	PB001000KN00	
22	Hexagon Bolt	EG0780000000	
23	Proximity Switch B Set	UN110161B000	50mm wide type
24	Frame Presser Block	MX0737010000	
25	Roller Attaching Bracket	MX0741000000	
26	Y-axis Feed Plate, Front	MX0738000000	
27	Guide Plate	MX0743000000	
28	Roller Pin Spacer	EG0770000000	
29	Frame Catcher Plate	MX0313010000	
30			
31			
32			
33			
34			
35			
36			
37			
38			
39			
40			
41			
42			
43			
44			
45			
46			
47			



# TMFD Y-AXIS DRIVE SYSTEM 2

ED-12-2

Ref.No.	Description	Part No.	Remark
1	Y20 Shaft A	ED0808A0****	G-Spec.M/C only
2	Tension Shaft	MX0724000000	
3	Tension Pulley Shaft	MX0725000000	
4	Vertical Tension Base	MX0723000000	
5	Pulse (Stepping) Motor Bracket Spacer	CT087300****	0.5t#1.0t#2.0t
6	Tension Base Holder	MX0734000000	
7	Driver Tension Shaft	MX0728000000	
8	Washer	BPRTW1225000	
9	Stopper	MX0729000000	
10	Bearing Case Plate L	MX0733L00000	
11	Bearing Case Plate R	MX0733R00000	
12	Y-axis Driver Frame A	MX0720A0****	
13	Y-axis Driver Frame B	MX0720B0****	
14	Roller	EF0722000000	
15	Roller Pin	EF0723010000	
16	Bearing Case A	MX0745000000	
17	Bearing Case Base A	EF0721A10000	
18	Driver-side Timing Pulley A	MX0710A00000	35mm wide type
18	Driver-side Timing Pulley B	MX0710B00000	50mm wide type
19	Ball Bearing	BP6003ZZ0000	
20	15mm Dia. Bearing Collar	EG0227000000	
21	Y-axis Drive Linear Base Set	MX074900****	
22	Driver Spacer C	EF0831000000	
23	Driver Spacer C	EF0830C00000	
24	Tension-side Timing Pulley B Set	UN110030B000	50mm wide type
25	Front Rail Plate	MX074010****	
26	N-Coupling	BPN150150000	
27	Pulse (Stepping) Motor	EH6405000000	M/C 5635mm or shorter
27	Pulse (Stepping) Motor	LG6405000000	
28	Y15 Shaft A	ED0809A0****	
29	Y15 Shaft B	ED0809B0****	
30	Pulse Motor Bracket	CT0872000000	
31	Tension Spacer	MX0726000000	35mm wide type
32	Tension-side Timing Pulley A Set	UN110030A000	35mm wide type
33	Front Rail Holder	MX074000****	
34	Y-axis Feed Rail Plate	MX074400****	
35	Countersunk Head Wood Screw		4.1P*20
36	Bearing Case Plate L (with Bearing)	MXS733L00000	
37	Bearing Case Plate R (with Bearing)	MXS733R00000	
38	Y20 Shaft B	ED0808B0****	G-Spec.M/C only
39			
40			
41			
42			
43			
44			
45			
46			
47			
48			



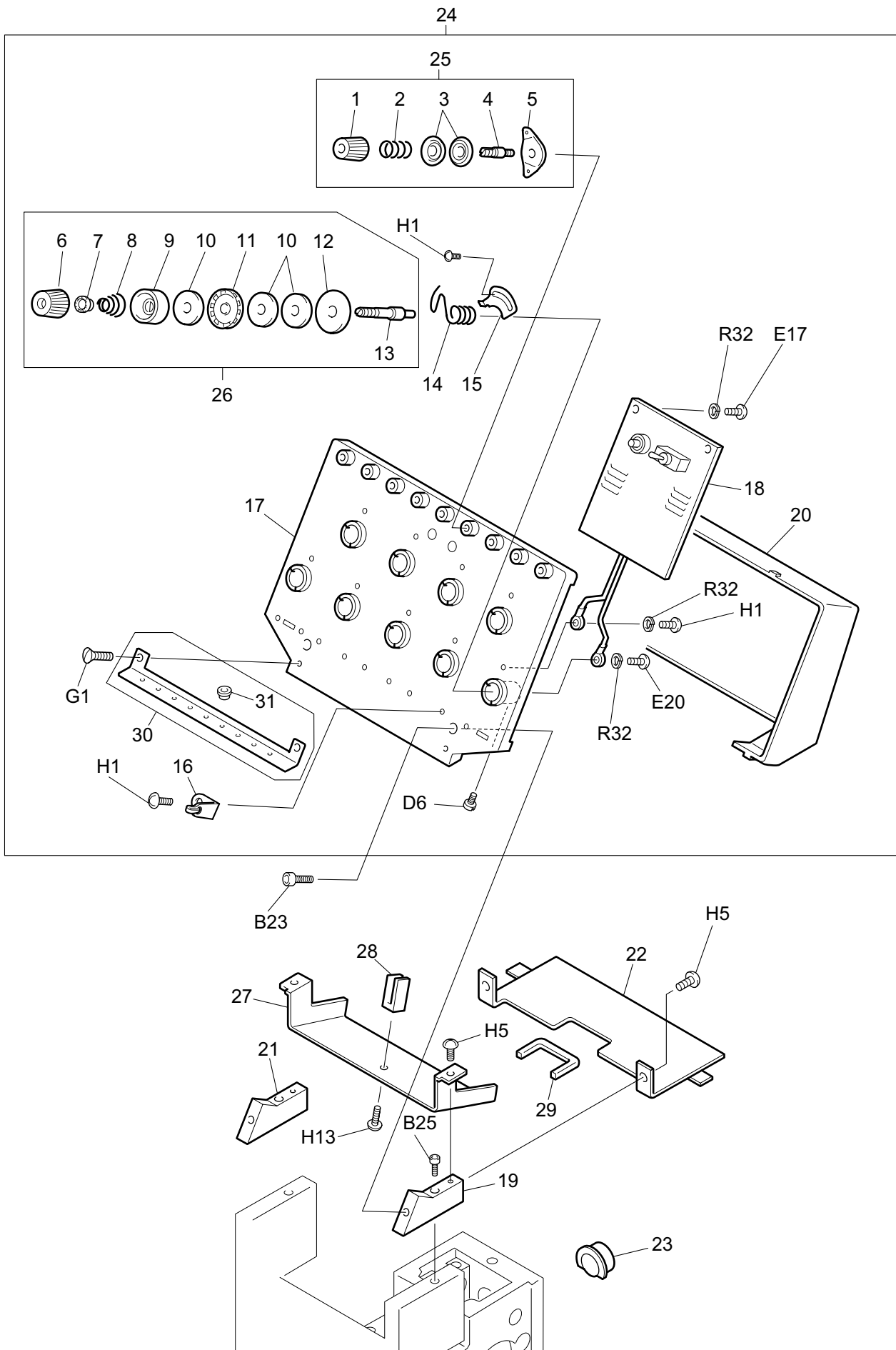


# TMFD Y-AXIS DRIVE SYSTEM 3 (M/C 6246MM-)

ED-12-3

Ref.No.	Description	Part No.	Remark
1	N-Coupling	BPN150150000	
2	Y20 Shaft A	ED0808A0****	
3	Y20 Shaft B	ED0808B0****	
4	Y20 Shaft C	ED0808C0****	
5	Y20 Shaft D	ED0808D0****	
6	Y-axis Shaft G	MX0842G0****	
7	Y-axis Shaft A	MX0842A00000	
8	Y-axis Shaft B	MX0842B00000	
9	Y-axis Shaft C	MX0842C00000	
10	Y-axis Shaft D	MX0842D00000	
11			
12			
13			
14			
15			
16			
17			
18			
19			
20			
21			
22			
23			
24			
25			
26			
27			
28			
29			
30			
31			
32			
33			
34			
35			
36			
37			
38			
39			
40			
41			
42			
43			
44			
45			
46			
47			
48			
49			
50			

Note: As for parts with marks # or \*, please follow our instructions on Table of Client's invoice parts order.



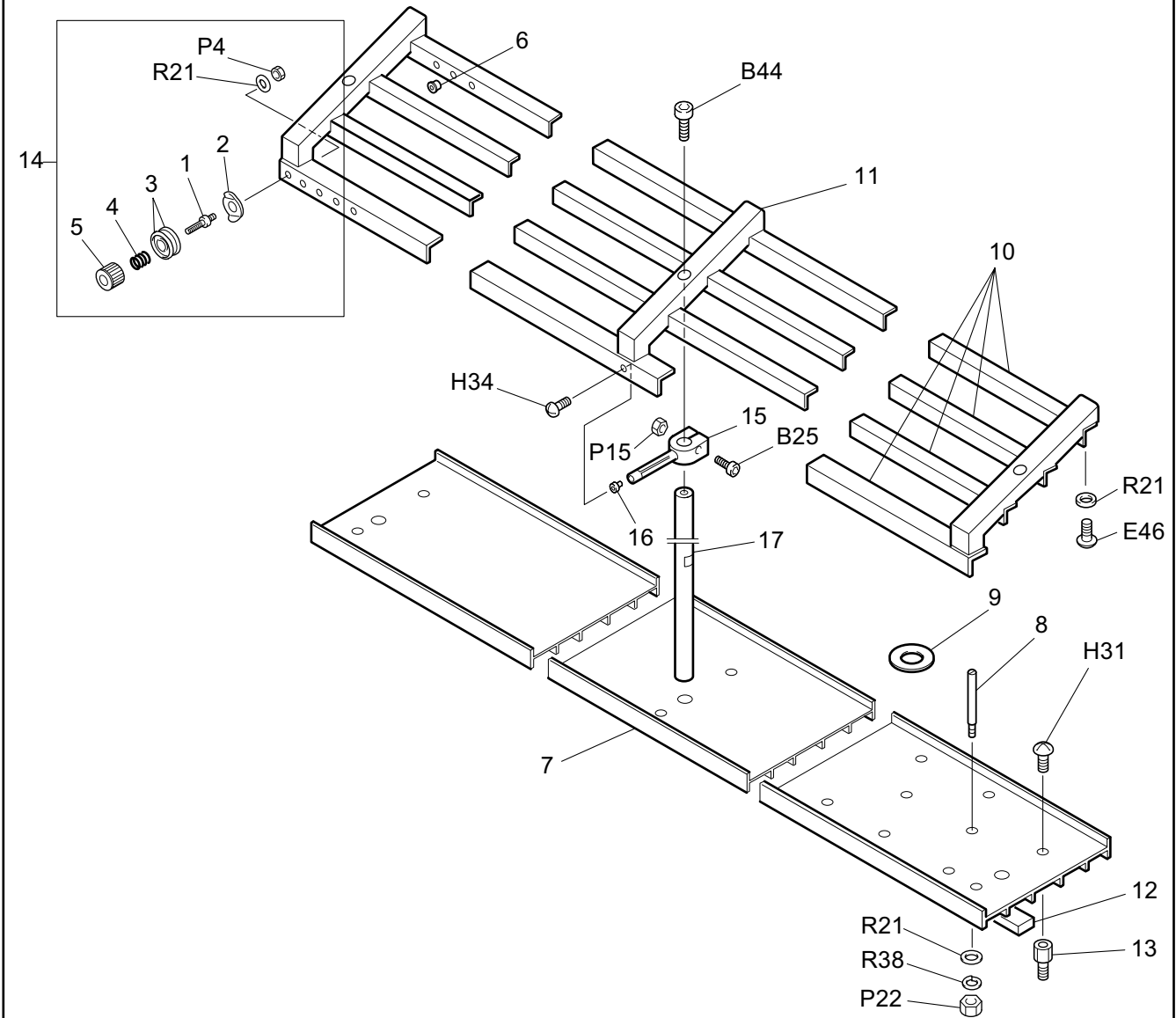
# TMFD INDIVIDUAL TENSION BASE

ED-13

Ref.No.	Description	Part No.	Remark
1	First Thread Tension Spring Screw	LG09220A0000	
2	First Tension Spring B	LG0960000000	
3	First Tension Disk	LG0920000000	
4	First Tension Stud	LG0918010000	
5	First Tension Thread Course	LG0919010000	
6	Adjusting Screw	EF09090A0000	
7	Spring Hook	EF0910000000	
8	Tension Spring	EF0908000000	
9	Tension Collar	EF09060A0000	
10	Felt Packing	EF0904000000	
11	Rotary Tension Disk	EF0905010000	
12	Insulation Plate	EF0903000000	
13	Tension Stud	LG0923000000	
14	Thread Take-up Spring	EF0907010000	
15	Thread Breakage Detecting Contact Point	LG0916000000	
16	Tension Base Middle Thread Guide	LG0917020000	
17	Individual Tension Base	FX09010A####	
18	Tension Base Card (PC Board)	EG7203030000	
19	Individual Tension Base Support R	LG0912RA0000	
20	Tension Base Cover	FX09030A####	
21	Individual Tension Base Support L	LG0912LA0000	
22	Tension Base Cord Cover A @ (Right Side)	MX0901AA####	
22	Tension Base Cord Cover B (Middle)	MX0901BA####	
22	Tension Base Cord Cover C (Left Side)	MX0901CA####	
23	Harness Guard Bushing	MX0833010000	
24	Individual Tension Base Set	UN230023****	
25	First Tension Set	UN150500A001	
26	Tension Base Tension Set	UN2305000001	
27	Cord Support Cover	FX09100A####	
28	Harness Clamp	MX0902000000	
29	Rubber Bushing	PB003400EB00	
30	Tension Base Lower Thread Guide	CX090100####	
31	Thread Guide	MX0521000000	
32			
33			
34			
35			
36			
37			
38			
39			
40			
41			
42			
43			
44			
45			
46			
47			
48			

Note: As for parts with marks # or \* please follow our instructions on Tab of Client in your parts order.

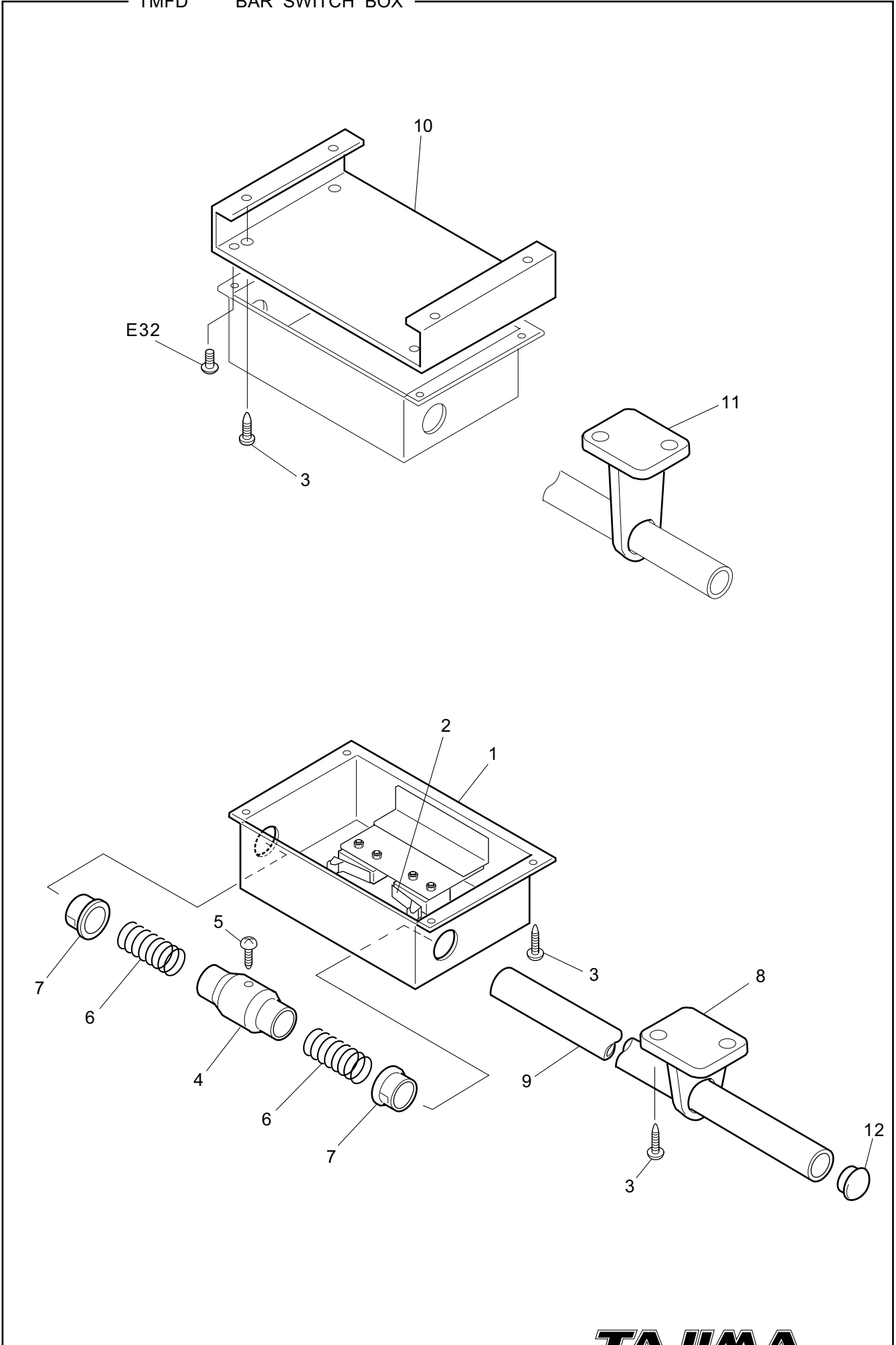
From the library of: Superior Sewing Machine & Supply LLC



# TMFD THREAD STAND

ED-14

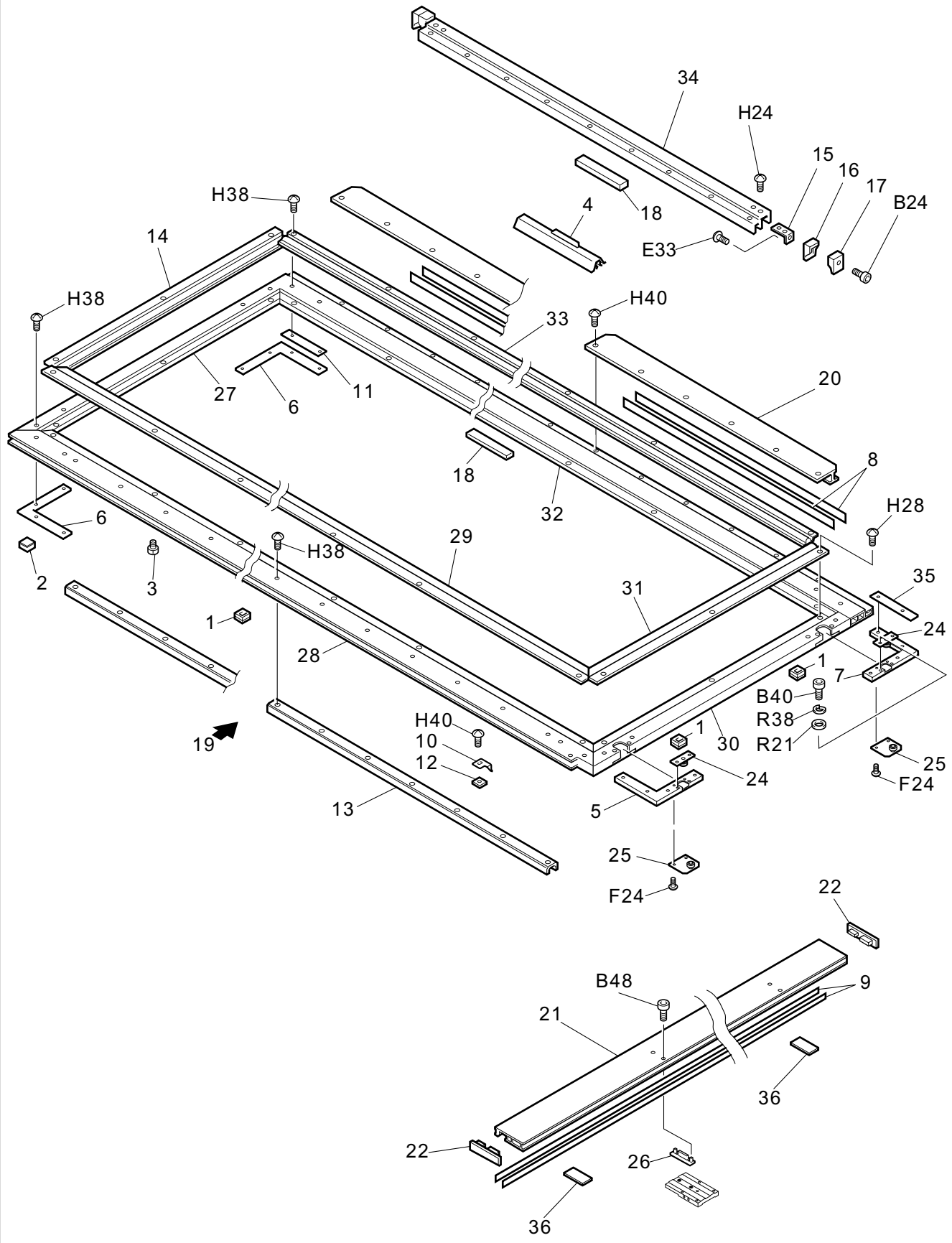
Ref.No.	Description	Part No.	Remark
1	No.1 Tension Stud	EC0D30000000	
2	No.1 Tension Thread Course	LG0919010000	
3	No.1 Tension Disk	LG0920000000	
4	No.1 Tension Spring B	LG0960000000	
5	No.1 Thread Tension Spring Screw	LG09220A0000	
6	Thread Guide A	EF0942A00000	White
6	Thread Guide B	EF0942B00000	Red
7	Thread Stand Plate	MX080500****	
8	Thread Stand Stud	EF0939010000	
9	Thread Stand Felt	EF0940000000	
10	Thread Course	MX080402****	
11	Thread Course Stay	MX083000****	
12	Thread Stand Plate Felt	MX0805120000	
13	Thread Stand Plate Attaching Stud	MX0821020000	
14	No.1 Tension Set	UN150500B001	
15	Reinforcing Guide	MX0837010000	
16	Rubber Bushing	BPQ400000000	
17	Thread Stand Shaft A	EF0937A20000	
17	Thread Stand Shaft	CT0603010000	For M/C 6246mm or longer
18			
19			
20			
21			
22			
23			
24			
25			
26			
27			
28			
29			
30			
31			
32			
33			
34			
35			
36			
37			
38			
39			
40			
41			
42			
43			
44			
45			
46			
47			
48			



# TMFD BAR SWITCH BOX

ED-15

Ref.No.	Description	Part No.	Remark
1	Bar Switch Box	MS5800A00000	
2	Limit Switch	PB000100SP00	
3	Round Head Wood Screw		4.5P*20
4	LS Dog	EF1104000000	
5	Truss Head Tapping Screw		4P*16
6	Return Spring	EF1106000000	
7	Bushing	EF1107000000	
8	Bar Switch Support	EF11080A****	
9	Switch Bar	EF110900****	
10	Bar Switch Box Attaching Plate	TC01060A0000	For Table Cut
11	Bar Switch Support	TC01040A0000	For Table Cut
12	Side Cover Lid	EF1109200000	
13			
14			
15			
16			
17			
18			
19			
20			
21			
22			
23			
24			
25			
26			
27			
28			
29			
30			
31			
32			
33			
34			
35			
36			
37			
38			
39			
40			
41			
42			
43			
44			
45			
46			
47			
48			
49			
50			

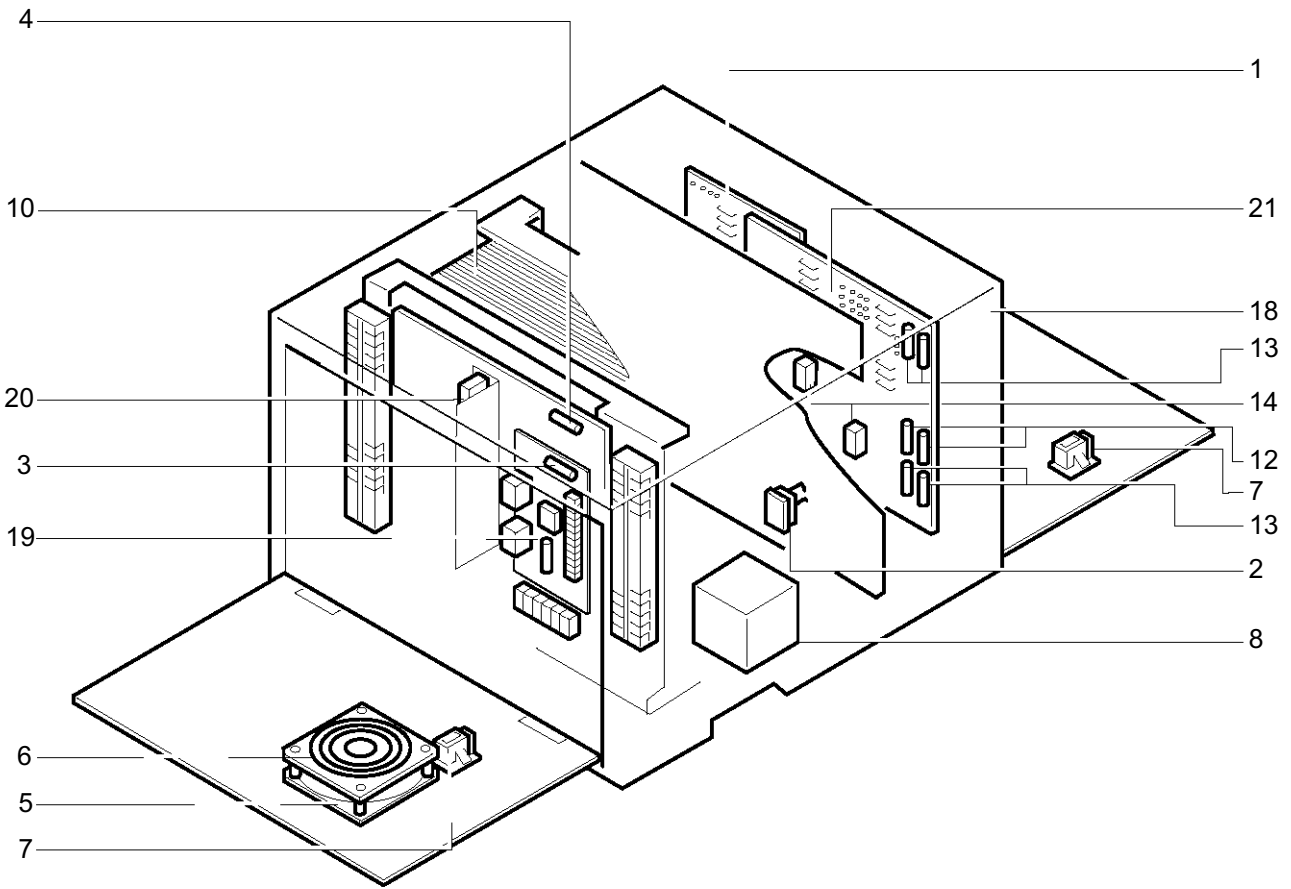




# TMFD EMBROIDERY FRAME

ED-16

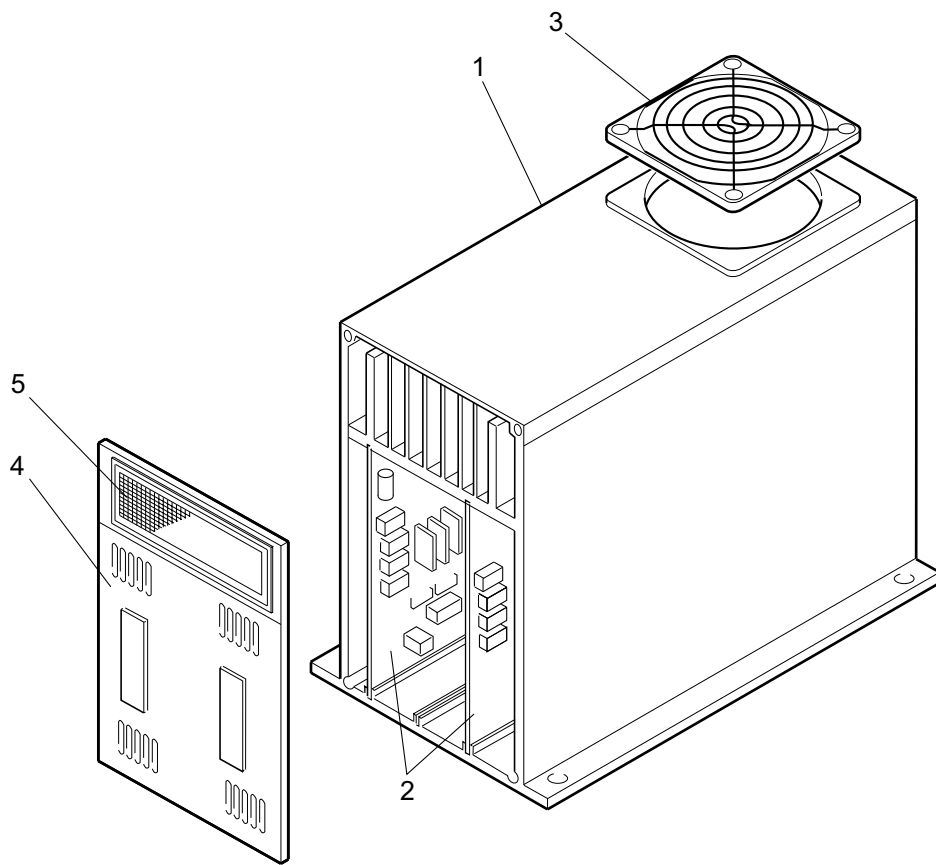
Ref.No.	Description	Part No.	Remark
1	No.1 Cork Set	EG0321020000	
2	No.3 Cork Set	EG0325010000	
3	Screw Ring	EF0303000000	
4	Border Frame Clip	EG032600****	For X-axis
4	Border Frame Clip B	MX0320B0****	For Y-axis
5	Right Corner B	DL0306000000	
6	Left Corner	DL0311000000	
7	Right Corner A	DL0305000000	
8	Rail Plate, Crosswise	MX031100****	
9	Z-spec. Frame Sash Rail Plate	ED030200****	
10	Embroidery Space Indicator	CTZ304000000	
11	Spacer B	DL0310000000	
12	Angle Pointer Fixing Spacer	CTZ313000000	
13	Frame Rail	EN030200****	
14	Border Frame Lengthwise Sash L	ED035600****	
15	Inner Frame Attachment C	EF0311000000	
16	Inner Frame Attachment A	EF0309000000	
17	Inner Frame Attachment B	EF0310000000	
18	No.4 Felt	EG0317000000	
19	Base Frame Sash Set	ED0300S0****	
20	Rear Frame Sash Rail	MX030500****	
21	Z-spec. Frame Sash	ED030100****	
22	XZ Frame Sash Cover, Front	CTZ301000000	
24	X-axis Connecting Bracket, Upper	CTZ308000000	
25	X-axis Connecting Bracket, Lower	CTZ309000000	
26	Reinforcing Sash Spacer	CTZ303000000	
27	Left Side Y-axis Frame Sash	ED035100****	
28	Front Sash	ED035200****	
29	Border Frame Crosswise Sash	ED035700****	
30	Right Side Y-axis Frame Sash	ED035000****	
31	Border Frame Lengthwise Sash R	ED035500****	
32	Rear Sash	ED035300****	
33	Border Frame Crosswise Sash B	ED035800****	
34	Middle Sash	ED035900****	
35	Spacer A	DL0309000000	
36	Sash Felt	ED0304000000	Y:680mm or longer
37			
38			
39			
40			
41			
42			
43			
44			
45			
46			
47			
48			
49			
50			



# TMFD POWER SUPPLY BOX

ED-17

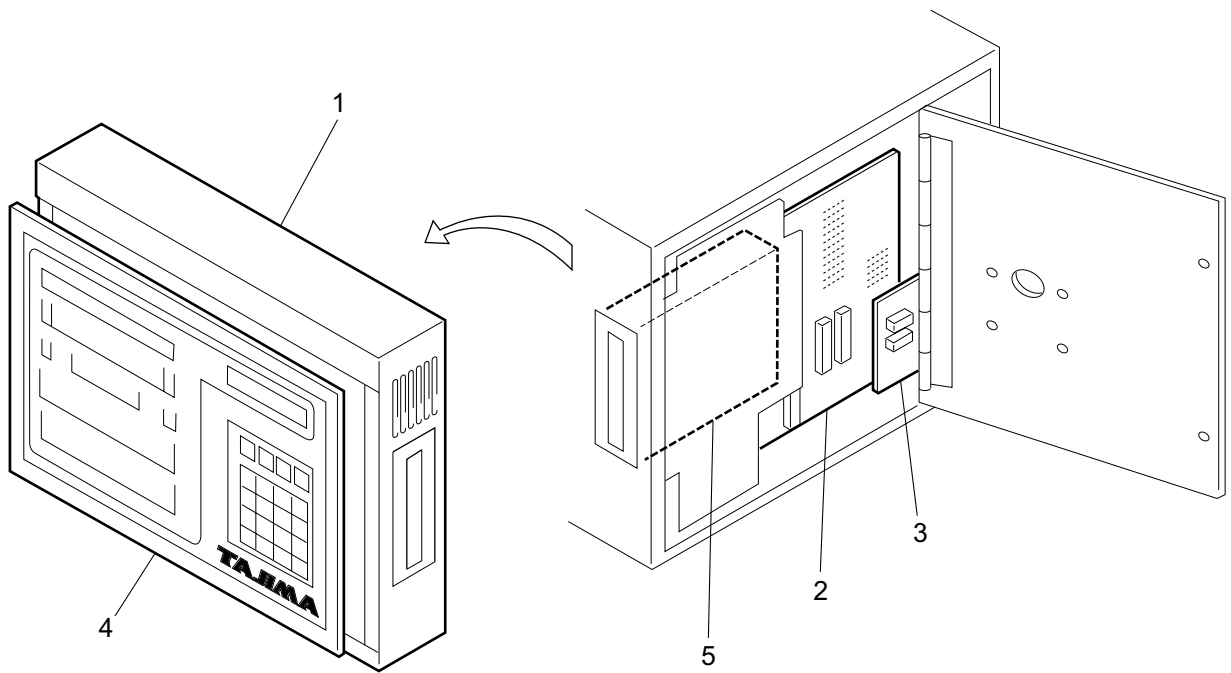
Ref.No.	Description	Part No.	Remark
1	IMM2 Card	ED5601010000	
2	Relay	PB000100KM00	
3	Glass Tube Fuse	PA5002300000	
4	Glass Tube Fuse	PA5002500000	
5	Fan	PB000100BF00	
6	Air Filter	PB000200ZM00	
7	Receptacle	PB000200PA00	
8	Automatic Voltage Regulator	PB002700PW00	
10	Transformer	PB005500TV00	
12	Glass Tube Fuse	PA5002800000	
13	Glass Tube Fuse	PA5052A00000	
14	Fuse	PA5062320000	
18	Power Supply Box	ED5600070000	
19	Relay Unit	AT5400010000	
20	Brake Resistor	PB001500RA00	
21	D-Joint 13 Card	ED5605020000	
22			
23			
24			
25			
26			
27			
28			
29			
30			
31			
32			
33			
34			
35			
36			
37			
38			
39			
40			
41			
42			
43			
44			
45			
46			
47			
48			
49			
50			
51			
52			
53			
54			
55			



# TMFD DRIVER BOX

ED-18

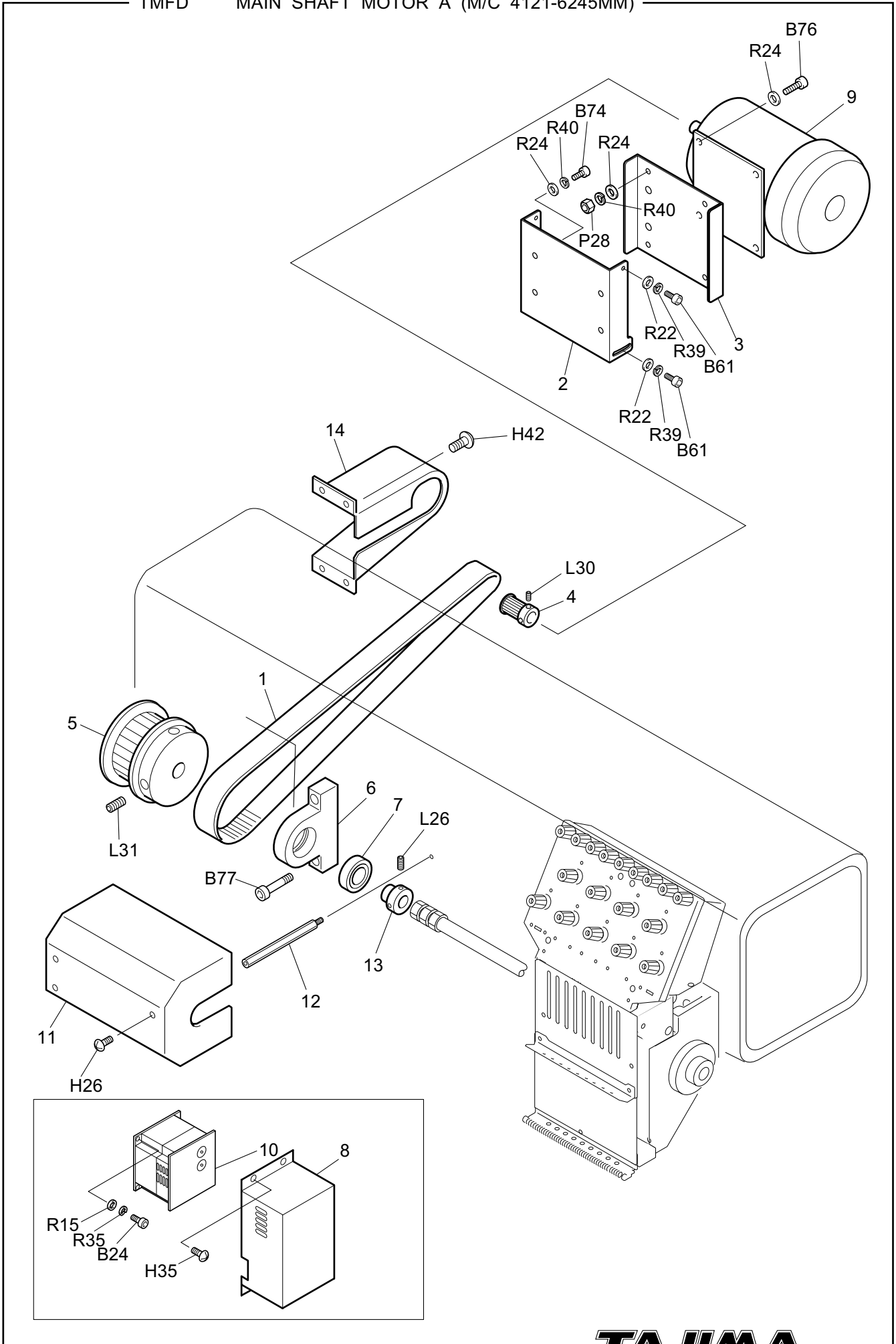
Ref.No.	Description	Part No.	Remark
1	Driver Box	EH5403A10000	
2	Driver Card (PC Board)	EH5404060000	
3	Fan	PB000700BF00	
4	Driver Box Front Panel	EH5405A00000	
5	Air Filter	PB000600ZM00	
6			
7			
8			
9			
10			
11			
12			
13			
14			
15			
16			
17			
18			
19			
20			
21			
22			
23			
24			
25			
26			
27			
28			
29			
30			
31			
32			
33			
34			
35			
36			
37			
38			
39			
40			
41			
42			
43			
44			
45			
46			
47			
48			
49			
50			



# TMFD CONTROLLER BOX

ED-19

Ref.No.	Description	Part No.	Remark
1	Controller Box (English)	ED5104A00000	
1	Controller Box (Chinese)	ED5104B00000	
2	IDM2 Card	ED5101020000	
3	D-Memory Card	ED5102000000	
4	Panel Film (English)	ED5105A00000	
4	Panel Film (Chinese)	ED5105B00000	
4	Panel Film (Spanish)	ED5105D00000	
5	Floppy Disk Drive	PB000800RE00	
6			
7			
8			
9			
10			
11			
12			
13			
14			
15			
16			
17			
18			
19			
20			
21			
22			
23			
24			
25			
26			
27			
28			
29			
30			
31			
32			
33			
34			
35			
36			
37			
38			
39			
40			
41			
42			
43			
44			
45			
46			
47			



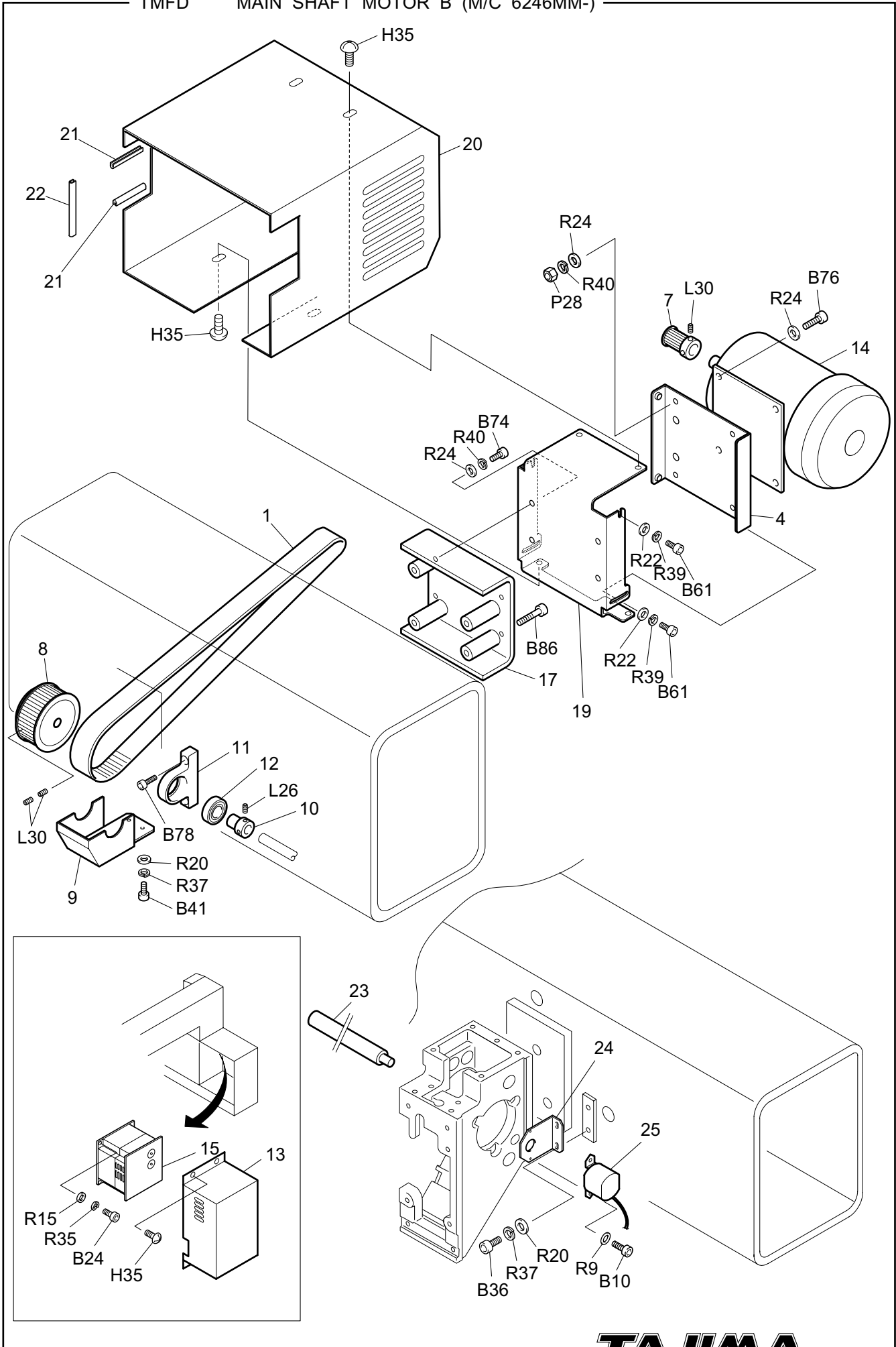


# TMFD MAIN SHAFT MOTOR A (M/C 4121-6245MM-)

ED-20a

Ref.No.	Description	Part No.	Remark
1	Timing Belt	BPS5M351000G	
2	Main Shaft Motor Base A	ED0159010000	
3	Main Shaft Motor Base B	ED0160000000	
4	Main Shaft Motor Pulley	ED0161000000	
5	Main Shaft Pulley	ED0156000000	
6	No.2 Bearing Case	ED0117000000	
7	Ball Bearing	BP6004ZZ0000	
8	Control Box Cover	ED0169000000	
9	Main Shaft Motor	ED6215010000	
10	Inverter	PB000100AD00	
11	Shaft Cover	ED015000****	
12	Shaft Cover Stud	ED0152000000	
13	15mm Dia. Bearing Case Collar	EF0106000000	
14	Main Shaft Belt Cover	ED0167010000	
15			
16			
17			
18			
19			
20			
21			
22			
23			
24			
25			
26			
27			
28			
29			
30			
31			
32			
33			
34			
35			
36			
37			
38			
39			
40			
41			
42			
43			
44			
45			
46			
47			
48			
49			
50			

Note: As for parts with marks # or \*, please follow our instructions on Table of Contents in your parts order.



# TMFD MAIN SHAFT MOTOR B (M/C 6246MM-)

ED-20b

Ref.No.	Description	Part No.	Remark
1	Timing Belt	BPS5M351160G	
4	Main Shaft Motor Base B	ED016000000	
7	Main Shaft Motor Pulley	ED016100000	
8	Main Shaft Pulley	ED015600000	
9	Main Shaft Cover	ED015500000	
10	Bearing Case Collar	ED011800000	
11	No.2 Bearing Case	ED011700000	
12	Ball Bearing	BP6004ZZ0000	
13	Control Box Cover	ED016900000	
14	Main Shaft Motor	ED6215010000	
15	Inverter	PB000100AD00	
17	Main Shaft Motor Base	ED0158010000	
19	Main Shaft Motor Base A	EDG1590****	
20	Motor Cover	ED017500****	
21	Motor Cover Rubber Bushing A	ED0175A0****	
22	Motor Cover Rubber Bushing a	ED0175B0****	
23	Needle Bar Drive Shaft A	EDG810A0****	
24	Encoder Attaching Bracket	ED0850000000	
25	Rotary Encoder	EF6600A00000	
26			
27			
28			
29			
30			
31			
32			
33			
34			
35			
36			
37			
38			
39			
40			
41			
42			
43			
44			
45			
46			
47			
48			
49			
50			
51			
52			
53			
54			
55			
56			

No.	Part No.	Remark	No.	Part No.	Remark
<b>A</b>	Flat Fillister Head Screw		<i>B19</i>	SS6204080TDO	M4 × 8
<i>A1</i>	SM15015450CN	1 / 8 × 4 4 × 5	<i>B20</i>	SS6204080TNO	M4 × 8
<i>A2</i>	SM15015460CN	1 / 8 × 4 4 × 6	<i>B21</i>	SS6204100TDO	M4 × 1 0
<i>A3</i>	SM16515530CN	9 / 6 4 × 4 0 × 3	<i>B22</i>	SS6204100TNO	M4 × 1 0
<i>A4</i>	SM14020540CN	9 / 6 4 × 4 0 × 4	<i>B23</i>	SS6204120TNO	M4 × 1 2
<i>A5</i>	SM16516540SA	9 / 6 4 × 4 0 × 4	<i>B24</i>	SS6204150TNO	M4 × 1 5
<i>A6</i>	SM17010540CN	9 / 6 4 × 4 0 × 4	<i>B25</i>	SS6204180TNO	M4 × 1 8
<i>A7</i>	SM1E515550CN	9 / 6 4 × 4 0 × 5	<i>B26</i>	SS6204200TNO	M4 × 2 0
<i>A8</i>	SM14020560CN	9 / 6 4 × 4 0 × 6	<i>B27</i>	SS6204250TNO	M4 × 2 5
<i>A9</i>	SM15525560CN	9 / 6 4 × 4 0 × 6	<i>B28</i>	SS6204250TN1	M4 × 2 5
<i>A10</i>	SM15526570CN	9 / 6 4 × 4 0 × 7	<i>B29</i>	SS6204300TNO	M4 × 3 0
<i>A11</i>	SM15020580CN	9 / 6 4 × 4 0 × 8	<i>B30</i>	SS6204350TNO	M4 × 3 5
<i>A12</i>	SM15530580CN	9 / 6 4 × 4 0 × 8	<i>B31</i>	SS6204400TNO	M4 × 4 0
<i>A13</i>	SM150205A0CN	9 / 6 4 × 4 0 × 1 0	<i>B32</i>	SS6204450TNO	M4 × 4 5
<i>A14</i>	SM150205C0CN	9 / 6 4 × 4 0 × 1 2	<i>B33</i>	SS6205060TNO	M5 × 6
<i>A15</i>	SM150205F0CN	9 / 6 4 × 4 0 × 1 5	<i>B34</i>	SS6205080TNO	M5 × 8
<i>A16</i>	SM15422643TN	1 1 / 6 4 × 4 0 × 4 . 3	<i>B35</i>	SS6205100TDO	M5 × 1 0
<i>A17</i>	SM17017670CN	1 1 / 6 4 × 4 0 × 7	<i>B36</i>	SS6205100TNO	M5 × 1 0
<i>A18</i>	SM1C035675CN	1 1 / 6 4 × 4 0 × 7 . 5	<i>B37</i>	SS6205100TPO	M5 × 1 0
<i>A19</i>	SM10825690SH	1 1 / 6 4 × 4 0 × 9	<i>B38</i>	SS6205120TNO	M5 × 1 2
<i>A20</i>	SM146266B5CN	1 1 / 6 4 × 4 0 × 1 1 . 5	<i>B39</i>	SS6205140TNO	M5 × 1 4
<i>A21</i>	SM172316C0CN	1 1 / 6 4 × 4 0 × 1 2	<i>B40</i>	SS6205150TDO	M5 × 1 5
<i>A22</i>	SS6003080SCO	M3 × 8	<i>B41</i>	SS6205150TNO	M5 × 1 5
<i>A23</i>	SS6003080SD0	M3 × 8	<i>B42</i>	SS6205160TNO	M5 × 1 6
<i>A24</i>	SS6003100CC0	M3 × 1 0	<i>B43</i>	SS6205180TNO	M5 × 1 8
<i>A25</i>	SS6004100SCO	M4 × 1 0	<i>B44</i>	SS6205200TDO	M5 × 2 0
			<i>B45</i>	SS6205200TNO	M5 × 2 0
			<i>B46</i>	SS6205220TNO	M5 × 2 2
			<i>B47</i>	SS6205230TNO	M5 × 2 3
			<i>B48</i>	SS6205250TNO	M5 × 2 5
			<i>B49</i>	SS6205300TNO	M5 × 3 0
<b>B</b>	Hexagon Socket Head Cap Screw		<i>B50</i>	SS6205350TNO	M5 × 3 5
<i>B1</i>	SS6202080TDO	M2 × 8	<i>B51</i>	SS6205350TN1	M5 × 3 5
<i>B2</i>	SS6202100TDO	M2 × 1 0	<i>B52</i>	SS6205500TNO	M5 × 5 0
<i>B3</i>	SS6276050TNO	M2 . 6 × 5	<i>B53</i>	SS6205500TN1	M5 × 5 0
<i>B4</i>	SS6203030TNO	M3 × 3	<i>B54</i>	SS6205550TNO	M5 × 5 5
<i>B5</i>	SS6203040TNO	M3 × 4	<i>B55</i>	SS6205600TNO	M5 × 6 0
<i>B6</i>	SS6203050TNO	M3 × 5	<i>B56</i>	SS6205600TN1	M5 × 6 0
<i>B7</i>	SS6203060TNO	M3 × 6	<i>B57</i>	SS6206080TNO	M6 × 8
<i>B8</i>	SS6203080TDO	M3 × 8	<i>B58</i>	SS6206090TNO	M6 × 9
<i>B9</i>	SS6203080TNO	M3 × 8	<i>B59</i>	SS6206100TNO	M6 × 1 0
<i>B10</i>	SS6203100TNO	M3 × 1 0	<i>B60</i>	SS6206120TNO	M6 × 1 2
<i>B11</i>	SS6203120TNO	M3 × 1 2	<i>B61</i>	SS6206150TNO	M6 × 1 5
<i>B12</i>	SS6203150TNO	M3 × 1 5	<i>B62</i>	SS6206180TNO	M6 × 1 8
<i>B13</i>	SS6203160TNO	M3 × 1 6	<i>B63</i>	SS6206200TNO	M6 × 2 0
<i>B14</i>	SS6203180TNO	M3 × 1 8	<i>B64</i>	SS6206250TNO	M6 × 2 5
<i>B15</i>	SS6203200TNO	M3 × 2 0	<i>B65</i>	SS6206300TNO	M6 × 3 0
<i>B16</i>	SS6203250TNO	M3 × 2 5	<i>B66</i>	SS6206350TNO	M6 × 3 5
<i>B17</i>	SS6204050TNO	M4 × 5	<i>B67</i>	SS6206400TNO	M6 × 4 0
<i>B18</i>	SS6204060TNO	M4 × 6	<i>B68</i>	SS6206450TNO	M6 × 4 5

# B · C · D · E

No.	Part No.	Remark	No.	Part No.	Remark
<b>B</b> Hexagon Socket Head Cap Screw					
B69	SS6206450TN1	M6 × 4.5			
B70	SS6206500TN1	M6 × 5.0			
B71	SS6206650TNO	M6 × 6.5	<b>D</b> Round Fillister Head Screw		
B72	SS6206800TN1	M6 × 8.0	D1	SM66514540CL	9 / 6.4 × 4.0 × 4
B73	SS6206A00TNO	M6 × 10.0	D2	SM66015550CL	9 / 6.4 × 4.0 × 5
B74	SS6208120TNO	M8 × 1.2	D3	SM66015550CN	9 / 6.4 × 4.0 × 5
B75	SS6208150TNO	M8 × 1.5	D4	SM67018550CN	9 / 6.4 × 4.0 × 5
B76	SS6208150TP0	M8 × 1.5	D5	SM67020550CN	9 / 6.4 × 4.0 × 5
B77	SS6208200TNO	M8 × 2.0	D6	SM66015560CL	9 / 6.4 × 4.0 × 6
B78	SS6208250TNO	M8 × 2.5	D7	SM66015560CN	9 / 6.4 × 4.0 × 6
B79	SS6208300TNO	M8 × 3.0	D8	SM67020560CL	9 / 6.4 × 4.0 × 6
B80	SS6208350TNO	M8 × 3.5	D9	SM67020560CN	9 / 6.4 × 4.0 × 6
B81	SS6208400TNO	M8 × 4.0	D10	SM65817568CN	9 / 6.4 × 4.0 × 6.8
B82	SS6208400TN1	M8 × 4.0	D11	SM660255A0CN	9 / 6.4 × 4.0 × 1.0
B83	SS6208450TNO	M8 × 4.5	D12	SM670205C0CN	9 / 6.4 × 4.0 × 1.2
B84	SS6208450TN1	M8 × 4.5	D13	SM67015660CL	11 / 6.4 × 4.0 × 6
B85	SS6208500TNO	M8 × 5.0	D14	SM67010665CL	11 / 6.4 × 4.0 × 6.5
B86	SS6208600TNO	M8 × 6.0	D15	SM675306C0CN	11 / 6.4 × 4.0 × 1.2
B87	SS6208750TNO	M8 × 7.5	D16	SM675256F0CN	11 / 6.4 × 4.0 × 1.5
B88	SS6210250TNO	M10 × 2.5	D17	SM69065CQ5CN	9 / 3.2 × 2.8 × 2.4.5
B89	SS6210300TNO	M10 × 3.0	D18	SS7003050SD0	M3 × 5
B90	SS6210400TNO	M10 × 4.0			
B91	SS6212300TNO	M12 × 3.0			
			<b>E</b> Pan Head Screw		
			E1	SS4164014MZO	M1.4 × 1.4
<b>C</b> Hexagon Bolt			E2	SS4102030MZO	M2 × 3
C1	SS9303060SD0	M3 × 6	E3	SS4102040MZO	M2 × 4
C2	SS9304080SD0	M4 × 8	E4	SS4102080MZO	M2 × 8
C3	SS9305100SD0	M5 × 1.0	E5	SS4175030MZO	M2.5 × 3
C4	SS9305150SC0	M5 × 1.5	E6	SS4175040MZO	M2.5 × 4
C5	SS9305150SD0	M5 × 1.5	E7	SS4175050MZO	M2.5 × 5
C6	SS9305200SD0	M5 × 2.0	E8	SS4175080MZO	M2.5 × 8
C7	SS9306150SC0	M6 × 1.5	E9	SS4175130MZO	M2.5 × 1.3
C8	SS9306450SD0	M6 × 4.5	E10	SS4175130SD0	M2.5 × 1.3
C9	SS9306500SC0	M6 × 5.0	E11	SS4103030MZO	M3 × 3
C10	SS9306500SD0	M6 × 5.0	E12	SS4103030SD0	M3 × 3
C11	SS9306550SD0	M6 × 5.5	E13	SS4103040CD0	M3 × 4
C12	SS9306650SD0	M6 × 6.5	E14	SS4103040MZO	M3 × 4
C13	SS9306750SC0	M6 × 7.5	E15	SS4103040SD0	M3 × 4
C14	SS9308150TNO	M8 × 1.5	E16	SS4103050MZO	M3 × 5
C15	SS9310300TNO	M10 × 3.0	E17	SS4103050SD0	M3 × 5
C16	SS9310350SC0	M10 × 3.5	E18	SS4103060MZO	M3 × 6
C17	SS9310350TNO	M10 × 3.5	E19	SS4103060SA0	M3 × 6
C18	SS9310400SC1	M10 × 4.0	E20	SS4103060SD0	M3 × 6
C19	SS9312500TNO	M12 × 5.0	E21	SS4103080MZO	M3 × 8
			E22	SS4103080SA0	M3 × 8

# E · F · G · H

No.	Part No.	Remark	No.	Part No.	Remark
<b>E</b>	Psn Head Screw		<b>F15</b>	SS1103080SNO	M 3 × 8
E23	SS4103080SD0	M 3 × 8	F16	SS1103100SD0	M 3 × 1 0
E24	SS4103100SC1	M 3 × 1 0	F17	SS1103120MZO	M 3 × 1 2
E25	SS4103100SD0	M 3 × 1 0	F18	SS1103120SD0	M 3 × 1 2
E26	SS4103120SD0	M 3 × 1 2	F19	SS1103150MZO	M 3 × 1 5
E27	SS4103140SA0	M 3 × 1 4	F20	SS1103160SD0	M 3 × 1 6
E28	SS4103140SD0	M 3 × 1 4	F21	SS1104050SD0	M 4 × 5
E29	SS4103150SD0	M 3 × 1 5	F22	SS1104060SD0	M 4 × 6
E30	SS4103400SD1	M 3 × 4 0	F23	SS1104080MZO	M 4 × 8
E31	SS4103500SD1	M 3 × 5 0	F24	SS1104080SD0	M 4 × 8
E32	SS4104040SD0	M 4 × 4	F25	SS1104100MZO	M 4 × 1 0
E33	SS4104050SD0	M 4 × 5	F26	SS1104100SD0	M 4 × 1 0
E34	SS4104060MZO	M 4 × 6	F27	SS1104120SD0	M 4 × 1 2
E35	SS4104060SD0	M 4 × 6	F28	SS1104140SD0	M 4 × 1 4
E36	SS4104080SD0	M 4 × 8	F29	SS1104150SD0	M 4 × 1 5
E37	SS4104100SD0	M 4 × 1 0	F30	SS1104200SD0	M 4 × 2 0
E38	SS4104120SD0	M 4 × 1 2	F31	SS1104220SD0	M 4 × 2 2
E39	SS4104150SD0	M 4 × 1 5	F32	SS1104250SD0	M 4 × 2 5
E40	SS4104180SD0	M 4 × 1 8	F33	SS1105060SD0	M 5 × 6
E41	SS4104500SD0	M 4 × 5 0	F34	SS1105080SD0	M 5 × 8
E42	SS4104600SD1	M 4 × 6 0	F35	SS1105100SD0	M 5 × 1 0
E43	SS4105060SD0	M 5 × 6	F36	SS1105120SD0	M 5 × 1 2
E44	SS4105070SD0	M 5 × 7	F37	SS1105150SD0	M 5 × 1 5
E45	SS4105080SD0	M 5 × 8	F38	SS1105300SD0	M 5 × 3 0
E46	SS4105100MZO	M 5 × 1 0	F39	SS1105350SD0	M 5 × 3 5
E47	SS4105100SD0	M 5 × 1 0	F40	SS1106150SC0	M 6 × 1 5
E48	SS4105120SD0	M 5 × 1 2	F41	SS1106150SD0	M 6 × 1 5
E49	SS4105300SD1	M 5 × 1 2	F42	SS1106350SD0	M 6 × 3 5
E50	SS4105500SD1	M 5 × 5 0	F43	SS1108120SD0	M 8 × 1 2
E51	SS4105600SD1	M 5 × 6 0	F44	SS1108700TNO	M 8 × 7 0
<b>F</b>	Countersunk Head Screw		<b>G</b>	Round Countersunk Head Screw	
F1	SMA55005A0CN	9 / 6 4 × 4 0 × 1 0	G1	SMC5000460CL	1 / 8 × 4 4 × 6
F2	SMB7000680CN	1 1 / 6 4 × 4 0 × 8	G2	SMC5000530CL	9 / 6 4 × 4 0 × 3
F3	SS1102060SD0	M 2 × 6	G3	SMC5000535CL	9 / 6 4 × 4 0 × 3. 5
F4	SS1103040MZO	M 3 × 4	G4	SMC5000540CL	9 / 6 4 × 4 0 × 4
F5	SS1103040SD0	M 3 × 4	G5	SMC5000560CL	9 / 6 4 × 4 0 × 6
F6	SS1103050SD0	M 3 × 5	G6	SMC5000570CL	9 / 6 4 × 4 0 × 7
F7	SS1003060SD0	M 3 × 6	G7	SMC5000595CL	9 / 6 4 × 4 0 × 9. 5
F8	SS1103060MZO	M 3 × 6			
F9	SS1103060SD0	M 3 × 6			
F10	SS1103070SD0	M 3 × 7			
F11	SS1003080SD0	M 3 × 8			
F12	SS1103080MZO	M 3 × 8			
F13	SS1103080SC0	M 3 × 8	<b>H</b>	Truss Head Screw	
F14	SS1103080SD0	M 3 × 8	H1	SMF6016470CL	1 / 8 × 4 4 × 7

# H · J · K · L

No.	Part No.	Remark	No.	Part No.	Remark
<b>H</b>	Truss Head Screw				
H2	SMF8020530CL	9 / 6 4 × 4 0 × 3 . 5			
H3	SMF8020540CL	9 / 6 4 × 4 0 × 4			
H4	SME9510540CM	9 / 6 4 × 4 0 × 4			
H5	SMF8020560CL	9 / 6 4 × 4 0 × 6			
H6	SMF8020580CL	9 / 6 4 × 4 0 × 8	<b>J</b>	Round Head Screw	
H7	SS0175030MZO	M 2 . 5 × 3	J 1	SS3102030MZO	M 2 × 3
H8	SS0175030SDO	M 2 . 5 × 3	J 2	SS3103080SDO	M 3 × 8
H9	SS0175040MZO	M 2 . 5 × 4	J 3	SS3103080SEO	M 3 × 8
H1 0	SS0175040SAO	M 2 . 5 × 4	J 4	SS3103100MZO	M 3 × 1 0
H1 1	SS0175040SDO	M 2 . 5 × 4			
H1 2	SS0103030MZO	M 3 × 3			
H1 3	SS0103040SDO	M 3 × 4			
H1 4	SS0103050MZO	M 3 × 5			
H1 5	SS0103050SDO	M 3 × 5			
H1 6	SS0103060MZO	M 3 × 6	<b>K</b>	Slotted Set Screw	
H1 7	SS0103060SDO	M 3 × 6	K1	SMK0000435CN	1 / 8 × 4 4 × 3 . 5
H1 8	SS0103060SAO	M 3 × 6	K2	SMK0000560CN	9 / 6 4 × 4 0 × 6
H1 9	SS0103080SDO	M 3 × 8	K3	SMK0000625CN	1 1 / 6 4 × 4 0 × 2 . 5
H2 0	SS0103080SAO	M 3 × 8	K4	SMK0000635CN	1 1 / 6 4 × 4 0 × 3 . 5
H2 1	SS0103100MZO	M 3 × 1 0	K5	SMK0000640CN	1 1 / 6 4 × 4 0 × 4
H2 2	SS0103100SDO	M 3 × 1 0	K6	SMK0000650CN	1 1 / 6 4 × 4 0 × 5
H2 3	SS0103200SDO	M 3 × 2 0	K7	SMK0000A50CN	1 5 / 6 4 × 2 8 × 5
H2 4	SS0104050SDO	M 4 × 5	K8	SMK0000AA0CN	1 5 / 6 4 × 2 8 × 1 0
H2 5	SS0104060MZO	M 4 × 6	K9	SMK0000AFOCN	1 5 / 6 4 × 2 8 × 1 5
H2 6	SS0104060SDO	M 4 × 6	K1 0	SMK0000AHO CN	1 5 / 6 4 × 2 8 × 1 7
H2 7	SS0104080MZO	M 4 × 8	K1 1	SMK0000B40CN	1 / 4 × 4 0 × 4
H2 8	SS0104080SDO	M 4 × 8	K1 2	SMK0000B45CN	1 / 4 × 4 0 × 4 . 5
H2 9	SS0104080SD2	M 4 × 8	K1 3	SMK0000B50CN	1 / 4 × 4 0 × 5
H3 0	SS0104100MZO	M 4 × 1 0	K1 4	SMK0000B60CN	1 / 4 × 4 0 × 6
H3 1	SS0104100SDO	M 4 × 1 0	K1 5	SMK0000B80CN	1 / 4 × 4 0 × 8
H3 2	SS0104120SDO	M 4 × 1 2	K1 6	SMK0000CC0CN	9 / 3 2 × 2 8 × 1 2
H3 3	SS0104150SDO	M 4 × 1 5	K1 7	SS8005060TNO	M 5 × 6
H3 4	SS0104200SDO	M 4 × 2 0			
H3 5	SS0105050SDO	M 5 × 5			
H3 6	SS0105060SDO	M 5 × 6			
H3 7	SS0105070SDO	M 5 × 7			
H3 8	SS0105080SDO	M 5 × 8			
H3 9	SS0105100CBO	M 5 × 1 0	<b>L</b>	Hexagon Socket Head Set Screw	
H4 0	SS0105100SDO	M 5 × 1 0	L 1	SMJ0000420CN	1 / 8 × 4 4 × 2
H4 1	SS0105120SDO	M 5 × 1 2	L 2	SMJ0000640CN	1 1 / 6 4 × 4 0 × 4
H4 2	SS0105150SDO	M 5 × 1 5	L 3	SMJ0000660CN	1 1 / 6 4 × 4 0 × 6
H4 3	SS0105200SDO	M 5 × 2 0	L 4	SMJ0000680CN	1 1 / 6 4 × 4 0 × 8
H4 4	SS0105250SDO	M 5 × 2 5	L 5	SS8203020TNO	M 3 × 2
H4 5	SS0106080SDO	M 6 × 8	L 6	SS8203030TNO	M 3 × 3
H4 6	SS0106100SDO	M 6 × 1 0	L 7	SS8203040TNO	M 3 × 4
H4 7	SS0106220SDO	M 6 × 2 2	L 8	SS8203050TNO	M 3 × 5
H4 8	SS0106250SDO	M 6 × 2 5	L 9	SS8203060TNO	M 3 × 6
H4 9	SS0106350SDO	M 6 × 3 5	L 1 0	SS8204030TNO	M 4 × 3
H5 0	SS0106400SDO	M 6 × 4 0	L 1 1	SS8204040TNO	M 4 × 4



# L · M · N · P · R

No.	Part No.	Remark	No.	Part No.	Remark
<b>L</b>	Hexagon Socket Head Set Screw				
L12	SS8204050TNO	M4 × 5	<b>P</b>	Nut	
L13	SS8204060TNO	M4 × 6	P1	SMN046030CNO	1 / 8 × 4 4 × 6 × 3
L14	SS8204060TN1	M4 × 6	P2	SMN056030CNO	9 / 6 4 × 4 0 × 6 × 3
L15	SS8204080TNO	M4 × 8	P3	SMN066020CNO	1 1 / 6 4 × 4 0 × 6 × 2
L16	SS8204100TNO	M4 × 1 0	P4	SMN066030CNO	1 1 / 6 4 × 4 0 × 6 × 3
L17	SS8204120TNO	M4 × 1 2	P5	SMN067030CNO	1 1 / 6 4 × 4 0 × 7 × 3
L18	SS8205040TNO	M5 × 4	P6	SMN167030CNO	1 1 / 6 4 × 4 0 × 7 × 3
L19	SS8205050TNO	M5 × 5	P7	SSN002SD0000	M2 Type 1
L20	SS8205060TNO	M5 × 6	P8	SSN075MZ0000	M2.5 Typr 1
L21	SS8205080TNO	M5 × 8	P9	SSN003MZ0000	M3 Type 1
L22	SS8205100TNO	M5 × 1 0	P10	SSN003SC0000	M3 Type 1
L23	SS8205120TNO	M5 × 1 2	P11	SSN003SD0000	M3 Type 1
L24	SS8205150TNO	M5 × 1 5	P12	SSN403SD0000	M3 Thumbscrew Type 2
L25	SS8206050TNO	M6 × 5	P13	SSN203SC0000	M3 Type 3
L26	SS8206060TNO	M6 × 6	P14	SSN285SC0000	M3.5 Type 3
L27	SS8206080TNO	M6 × 8	P15	SSN004SC0000	M4 Type 1
L28	SS8206100TNO	M6 × 1 0	P16	SSN004SD0000	M4 Type 1
L29	SS8206180TNO	M6 × 1 8	P17	SSN204SC0000	M4 Type 3
L30	SS8208080TNO	M8 × 8	P18	SSN204SD0000	M4 Type 3
L31	SS8208100TNO	M8 × 1 0	P19	SSN005SC0000	M5 Type 1
L32	SS8208150TNO	M8 × 1 5	P20	SSN005SD0000	M5 Type 1
			P21	SSN205SC0000	M5 Type 3
			P22	SSN205SD0000	M5 Type 3
			P23	SSN605SD0000	M5 Cap Screw
			P24	SSN006SC0000	M6 Type 1
			P25	SSN006SC1000	M6 Type 1 (Left)
<b>M</b>	Hexagon Socket Head Button Screw		P26	SSN006SD0000	M6 Type 1
M1	SS3203050SC0	M3 × 5	P27	SSN206SC0000	M6 Type 3
M2	SS3204060SC0	M4 × 6	P28	SSN008SC0000	M8 Type 1
M3	SS3205100SC0	M5 × 1 0	P29	SSN208SC0000	M8 Type 3
			P30	SSN010SC0000	M10 Type 1
			P31	SSN710CD0000	M10 with Flange
			P32	SSN710SC0000	M10 with Flange
			P33	SSN012SC0000	M12 Type 1
			P34	SSN212SC0000	M12 Type 3
<b>N</b>	Screw with Washer		P35	SSN216SC0000	M16 Type 3
N1	SSA003080000	M3 × 8	P36	SSN020SC0000	M20 Type 1
N2	SSA003180000	M3 × 1 8			
N3	SSA004080000	M4 × 8			
N4	SSA004100000	M4 × 1 0			
N5	SSA004550000	M4 × 5 5			
N6	SSA005100000	M5 × 1 0	<b>R</b>	Washer	
N7	SSA005120000	M5 × 1 2	R1	WSP640303MZ0	Plain M1.4 × 3 × 0.3 t
N8	SSA005140000	M5 × 1 4	R2	WSP023505XZ0	Plain M2 × 3.5 × 0.5 t
N9	SSA005180000	M5 × 1 8	R3	WSP767505XB0	Plain M2.6 × 7.5 × 0.5 t
			R4	WSP036003XZ0	Plain M3 × 6 × 0.3 t
			R5	WSP036005SC0	Plain M3 × 6 × 0.5 t
			R6	WSP037005SD0	Plain M3 × 7 × 0.5 t
			R7	WSP038003SD0	Plain M3 × 8 × 0.3 t



# R

No.	Part No.	Remark	No.	Part No.	Remark
<i>R</i>	Washer				
<i>R8</i>	WSP038005MZ0	Plain M3 × 8 × 0.5 t			
<i>R9</i>	WSP038005SCO	Plain M3 × 8 × 0.5 t			
<i>R10</i>	WSP038005SD0	Plain M3 × 8 × 0.5 t			
<i>R11</i>	WSP038100SD0	Plain M3 × 8 × 1 t			
<i>R12</i>	WSP048005SD0	Plain M4 × 8 × 0.5 t			
<i>R13</i>	WSP048008SCO	Plain M4 × 8 × 0.8 t			
<i>R14</i>	WSP048008SD0	Plain M4 × 8 × 0.8 t			
<i>R15</i>	WSP04A008SCO	Plain M4 × 10 × 0.8 t			
<i>R16</i>	WSP04A008SD0	Plain M4 × 10 × 0.8 t			
<i>R17</i>	WSP04C010SCO	Plain M4 × 12 × 1 t			
<i>R18</i>	WSP05A008SCO	Plain M5 × 10 × 0.8 t			
<i>R19</i>	WSP05A008SD0	Plain M5 × 10 × 0.8 t			
<i>R20</i>	WSP05C008SCO	Plain M5 × 12 × 0.8 t			
<i>R21</i>	WSP05C008SD0	Plain M5 × 12 × 0.8 t			
<i>R22</i>	WSP06D010SCO	Plain M6 × 13 × 1.0 t			
<i>R23</i>	WSP08G012SD0	Plain M8 × 16 × 1.2 t			
<i>R24</i>	WSP08J016SCO	Plain M8 × 18 × 1.6 t			
<i>R25</i>	WSP08J016SD0	Plain M8 × 18 × 1.6 t			
<i>R26</i>	WSP08J032SCO	Plain M8 × 18 × 3.2 t			
<i>R27</i>	WSP08N032SCO	Plain M8 × 22 × 3.2 t			
<i>R28</i>	WSP10S032SCO	Plain M10 × 26 × 3.2 t			
<i>R29</i>	WSP12L520SCO	Plain M12 × 20.5 × 2 t			
<i>R30</i>	WSS020000KDO	Spring M2			
<i>R31</i>	WSS760000KCO	Spring M2.6			
<i>R32</i>	WSS030000KCO	Spring M3			
<i>R33</i>	WSS030000KDO	Spring M3			
<i>R34</i>	WSS850000KCO	Spring M3.5			
<i>R35</i>	WSS040000KCO	Spring M4			
<i>R36</i>	WSS040000KDO	Spring M4			
<i>R37</i>	WSS050000KCO	Spring M5			
<i>R38</i>	WSS050000KDO	Spring M5			
<i>R39</i>	WSS060000KCO	Spring M6			
<i>R40</i>	WSS080000KCO	Spring M8			
<i>R41</i>	WSS080000KDO	Spring M8			
<i>R42</i>	WSS100000KCO	Spring M10			
<i>R43</i>	WSS120000KCO	Spring M12			
<i>R44</i>	WSW06B003TP0	Wave M4			
<i>R45</i>	WSW06A503TNO	Wave M6			
<i>R46</i>	WSL048505TP0	With teeth M4			
<i>R47</i>	WSN080000SCO	Slant M8			